

CONTRACOR®

EN Blast Cabinets

ECO-80P/ECO-100P/ECO-120P/ECO-140P

ECO-80PF/ECO-100PF/ECO-120PF/ECO-140PF

ECO-80PL/ECO-100PL/ECO-120PL/ECO-140PL

OPERATING AND MAINTENANCE MANUAL

Version 3.0

DE Strahlkabinen

BETRIEBSANLEITUNG

Version 3.1

Seite 51

RU Кабина абразивоструйная

РУКОВОДСТВО ПО ЭКСПЛУАТАЦИИ

Версия 3.1

стр. 101

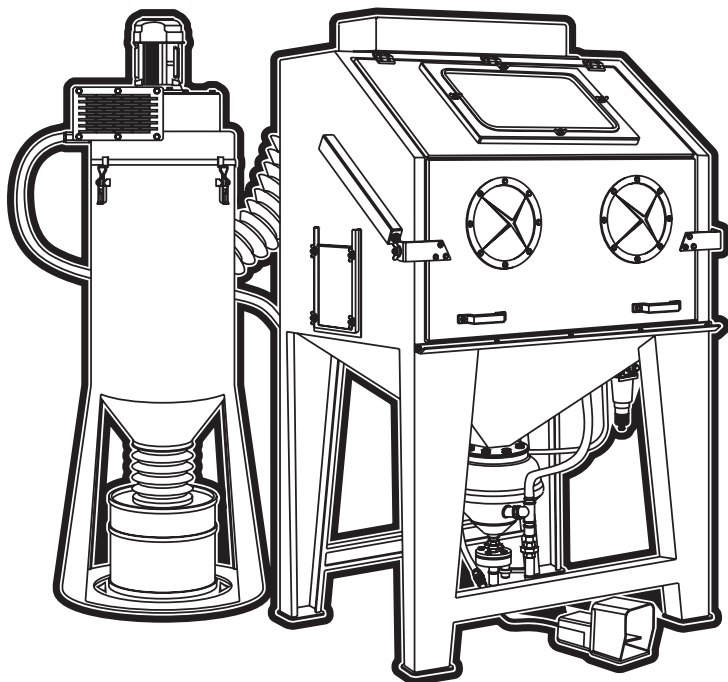


Table of contents

EN

1. Safety	3
2. Package and description	4
3. General information	17
4. Set-up, operation and shut-down	20
5. Maintenance	27
6. Troubleshooting	33
7. Replacement parts	37



ATTENTION!

**READ AND FULLY UNDERSTAND THIS MANUAL BEFORE STARTING WORK.
THE FOLLOWING INFORMATION IS IMPORTANT FOR SAFETY AND HEALTH
OF OPERATOR AND PERSONNEL IN VICINITY.**



ATTENTION!

**BUYING THE MACHINE, PLEASE, REQUEST TO FILL IN THE GUARANTEE
CARD CORRECTLY!
FAILURE TO PRODUCE A FILLED-IN FORM WILL MAKE YOUR GUARANTEE
INVALID.**

1. Safety

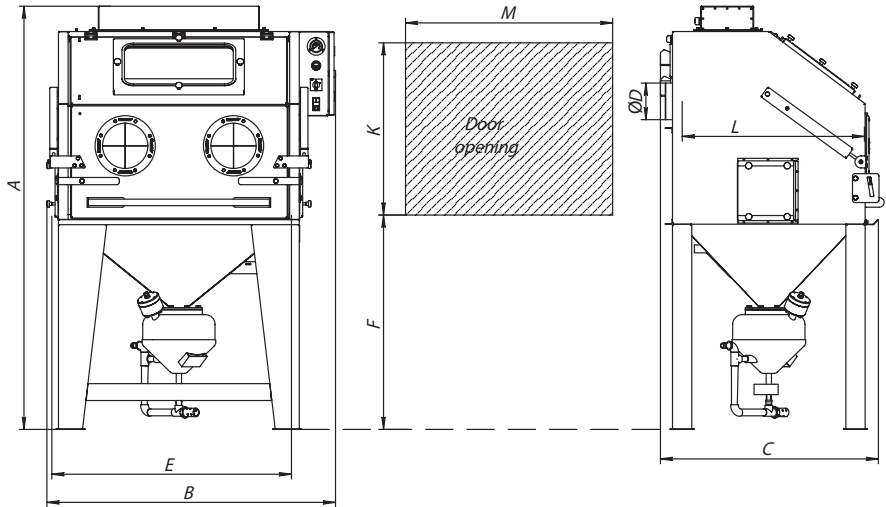


ATTENTION!

SAFETY PROCEDURES FOR BLAST CABINET OPERATION.

- 1. Protective gloves must be worn while carrying out abrasive blasting.**
- 2. Worn out or damaged equipment should never be used during operation.**
- 3. The nozzle should only be pointed at the area to be cleaned. The nozzle should never be pointed toward the cabinet windows.**
- 4. Only dry and well-sifted abrasive materials, appropriate for abrasive blasting operations, should be used.**
- 5. Prior to beginning blast cabinet operation it is essential to:**
 - Make certain that gloves, gaskets, hoses and fittings are not worn out;**
 - Secure hose couplings with wire, if the couplings are used;**
 - Make certain that the cabinet is grounded.**
- 6. All doors on the cabinet, reclaimer or dust collector must remain closed while the blasting procedure is being carried out.**
- 7. Use the blow nozzle to blow media from the blasted parts after blasting, before opening the doors and before turning off the exhauster.**
- 8. Never open the doors or turn off the exhauster until the cabinet is completely free of abrasive dust.**

2. Package and description



	A, mm	B, mm	C, mm	D, mm	E, mm	F, mm	K, mm	L, mm	M, mm	Weight, kg
ECO-80	1665	1000	685	52	800	890	620	535	680	139
ECO-100	1760	1200	910	52	1000	890	715	755	860	246
ECO-120	1860	1400	1110	52	1200	890	820	950	1085	274
ECO-140	2185	1650	1255	52	1350	1145	885	1130	1240	309

Fig. 2.1. Blast cabinet overall dimensions ECO-80P/100P/120P/140P

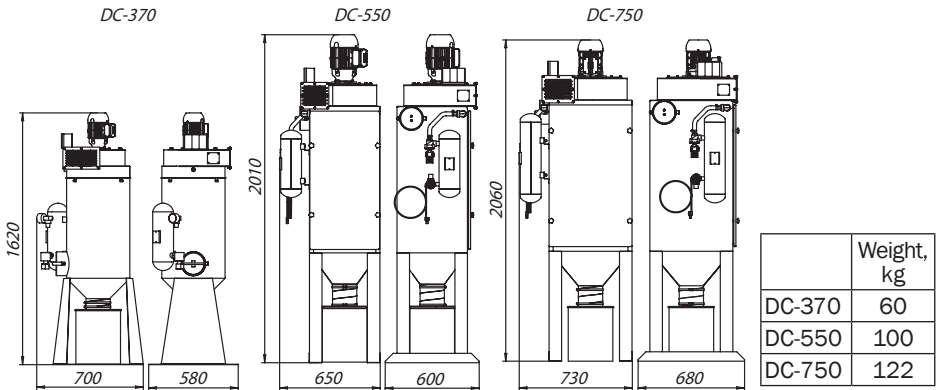


Fig. 2.2. Dust collectors overall dimensions DC-370/550/750

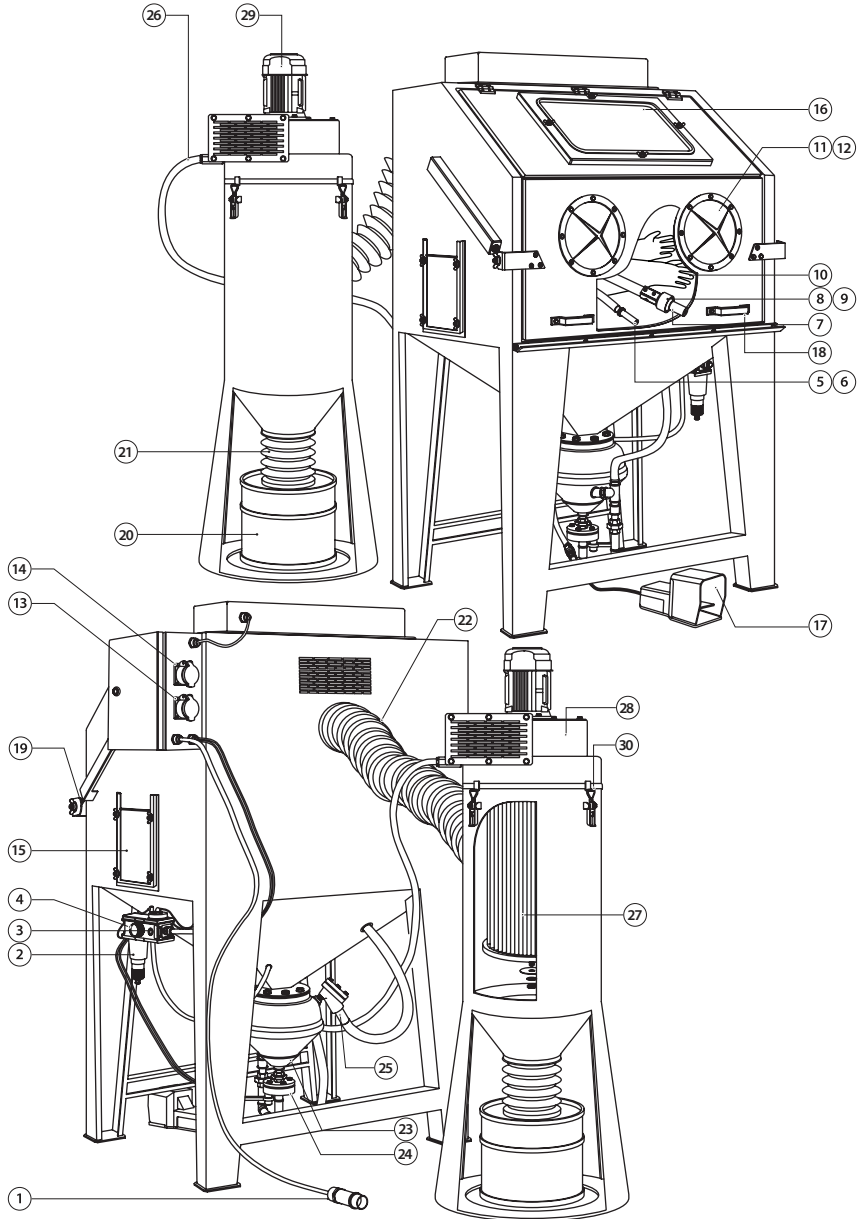
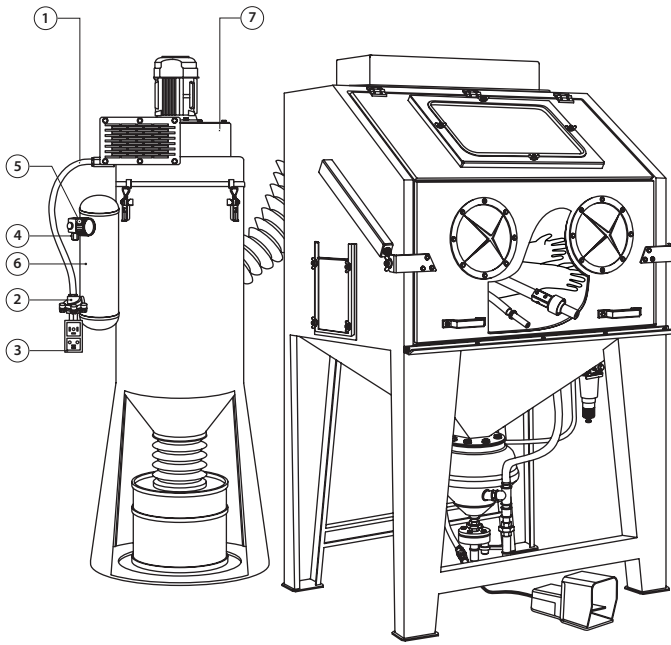


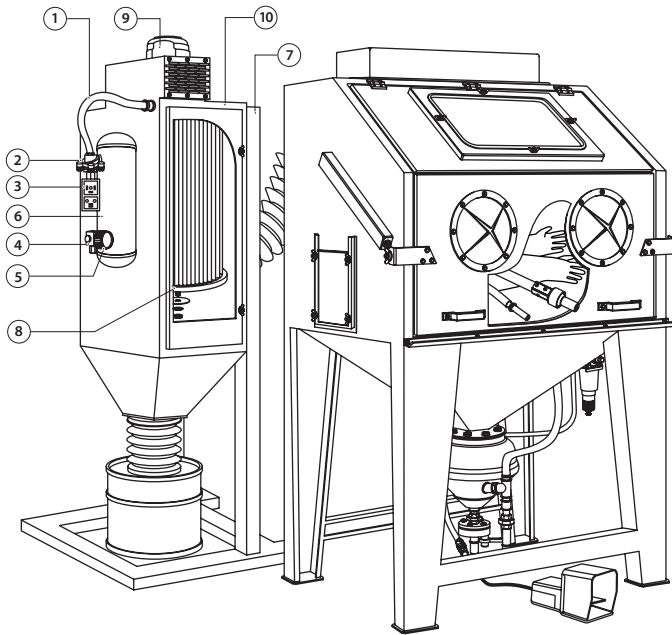
Fig. 2.3. Standard delivery ECO-80P/100P/120P/140P

Pos. No	Description
1	Plug 380 V
2	Airline Filter
3	Pressure regulator, pilot operated
4	Pressure gauge
5	Air blow-off nozzle, rubber
6	Rubber hose for air blow-off nozzle
7	Blast nozzle
8	Nozzle holder
9	Blast hose
10	RGS Blast cabinet gloves
11	Hand hole rubber
12	Hand hole ring
13	Socket 380V
14	Socket 230V
15	Pass-Through cabinet door
16	Viewing window (assembly)
17	Pneumatic foot pedal
18	Handle
19	Gas spring
20	Dust container
21	Dust container hose
22	Venti hose Ø 150mm
23	Blast machine assembly, 13 liter, for ECO-series
24	FSV-0, Abrasive metering valve 1/2"
25	Blow-out valve, ECO-series
26	Air hose
27	Filter cartridge for DC-370
28	Impeller for DC-390
29	Electric motor 0,5 kW for DC-370
30	Dust collector latch



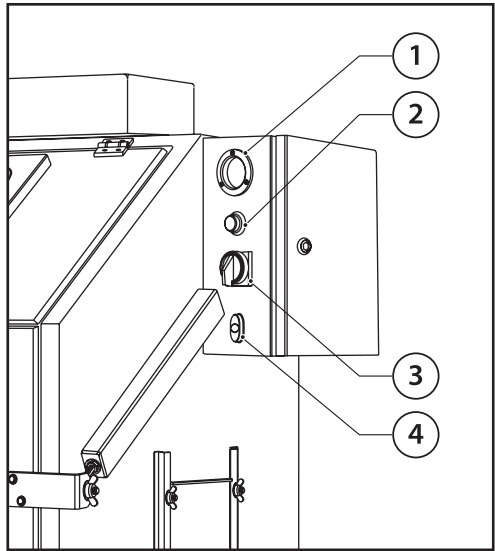
Pic. 2.4. Special model ECO-80PF/100PF/120PF/140PF

Pos. No	Description
1	AirFlex-19, Compressed air hose 19x28mm
2	Diaphragm pulse-jet valve 3/4"
3	Electronic timer for pulse-jet valve
4	Pressure regulator, pulse-jet cleaning, 1/4"
5	Pressure gauge 1/8" (rubber cover)
6	Pulse-jet cleaning manifold
7	Impeller for DC-370



Pic. 2.5. Special model ECO-80PL/100PL/120PL/140PL

Pos. No	Description
1	AirFlex-19, Compressed air hose 19x28mm
2	Diaphragm pulse-jet valve 3/4"
3	Electronic timer for pulse-jet valve
4	Pressure regulator, pulse-jet cleaning, 1/4"
5	Pressure gauge 1/8" (rubber cover)
6	Pulse-jet cleaning manifold
7	Mounting foot for DC-550 and DC-750
8	Filter cartridge for DC-550 / for DC-750
9	Electric motor 0,70 kW for DC-550 / 0,90 kW for DC-750
10	Impeller for DC-550 / 750



Pic. 2.6. Control panel

Pos. No	Description
1	Panel mounting pressure gauge, working pressure
2	Pressure regulator, working pressure
3	Main switch O-I
4	Double pushbuttons ON / OFF

2.1. Package

Table 2.1

Order code	Model	Description, package
10217201	ECO-80P	<p>Blast cabinet, complete system, containing:</p> <ul style="list-style-type: none"> - Cabinet enclosure - 13 liter blast machine - Cartridge dust collector DC-370 (see. Table 2.2.) <p>Standard delivery:</p> <ul style="list-style-type: none"> - Quality 600 mm blast gloves with inner fabric lining - 13x27 mm blast hose with coupling/nozzle holder - Tungsten carbide venturi nozzle NTC-5.0 - FSV-0 metering valve - Main airline filter with 5μ filtration grade - Pilot regulated blast pressure - Door safety interlocks - Manual cleaned cartridge filter - Electrical connection 0,50 kW, 380V, 3 phase, 50Hz <p>Working chamber size (W x D x H), mm 750 x 520 x 660 Weight, 139 kg Noise level, 80 .. 120 dB (2000/14EC) Standard load capacity, 350 kg</p>
10217202	ECO-100P	<p>Blast cabinet, complete system, containing:</p> <ul style="list-style-type: none"> - Cabinet enclosure - 13 liter blast machine - Cartridge dust collector DC-370 (see. Table 2.2.) <p>Standard delivery:</p> <ul style="list-style-type: none"> - Quality 600 mm blast gloves with inner fabric lining - 13x27 mm blast hose with coupling/nozzle holder - Tungsten carbide venturi nozzle NTC-5.0 - FSV-0 metering valve - Main airline filter with 5μ filtration grade - Pilot regulated blast pressure - Door safety interlocks - Manual cleaned cartridge filter - Electrical connection 0,50 kW, 380V, 3 phase, 50Hz <p>Working chamber size (W x D x H), mm 950 x 720 x 760 Weight, 246 kg Noise level, 80 .. 120 dB (2000/14EC) Standard load capacity, 350 kg</p>

Order code	Model	Description, package
10217203	ECO-120P	<p>Blast cabinet, complete system, containing:</p> <ul style="list-style-type: none"> - Cabinet enclosure - 13 liter blast machine - Cartridge dust collector DC-370 (see. Table 2.2.) <p>Standard delivery:</p> <ul style="list-style-type: none"> - Quality 600 mm blast gloves with inner fabric lining - 13x27 mm blast hose with coupling/nozzle holder - Tungsten carbide venturi nozzle NTC-5.0 - FSV-0 metering valve - Main airline filter with 5µ filtration grade - Pilot regulated blast pressure - Door safety interlocks - Manual cleaned cartridge filter - Electrical connection 0,50 kW, 380V, 3 phase, 50Hz <p>Working chamber size (W x D x H), mm 1150 x 920 x 860 Weight, 274 kg Noise level, 80 .. 120 dB (2000/14EC) Standard load capacity, 350 kg</p>
10217204	ECO-140P	<p>Blast cabinet, complete system, containing:</p> <ul style="list-style-type: none"> - Cabinet enclosure - 13 liter blast machine - Cartridge dust collector DC-370 (see. Table 2.2.) <p>Standard delivery:</p> <ul style="list-style-type: none"> - Quality 600 mm blast gloves with inner fabric lining - 13x27 mm blast hose with coupling/nozzle holder - Tungsten carbide venturi nozzle NTC-5.0 - FSV-0 metering valve - Main airline filter with 5µ filtration grade - Pilot regulated blast pressure - Door safety interlocks - Manual cleaned cartridge filter - Electrical connection 0,50 kW, 380V, 3 phase, 50Hz <p>Working chamber size (W x D x H), mm 1350 x 1120 x 960 Weight, 309 kg Noise level, 80 .. 120 dB (2000/14EC) Standard load capacity, 350 kg</p>

Order code	Model	Description, package
10217211	ECO-80PF	<p>Blast cabinet, complete system, containing:</p> <ul style="list-style-type: none"> - Cabinet enclosure - 13 liter blast machine - Cartridge dust collector DC-370 (see. Table 2.2.) <p>Standard delivery:</p> <ul style="list-style-type: none"> - Quality 600 mm blast gloves with inner fabric lining - 13x27 mm blast hose with coupling/nozzle holder - Tungsten carbide venturi nozzle NTC-5.0 - FSV-0 metering valve - Main airline filter with 5µ filtration grade - Pilot regulated blast pressure - Door safety interlocks - Pulse cleaned cartridge filter - Electrical connection 0,50 kW, 380V, 3 phase, 50Hz <p>Working chamber size (W x D x H), mm 750 x 520 x 660 Weight, 139 kg Noise level, 80 .. 120 dB (2000/14EC) Standard load capacity, 350 kg</p>
10217212	ECO-100PF	<p>Blast cabinet, complete system, containing:</p> <ul style="list-style-type: none"> - Cabinet enclosure - 13 liter blast machine - Cartridge dust collector DC-370 (see. Table 2.2.) <p>Standard delivery:</p> <ul style="list-style-type: none"> - Quality 600 mm blast gloves with inner fabric lining - 13x27 mm blast hose with coupling/nozzle holder - Tungsten carbide venturi nozzle NTC-5.0 - FSV-0 metering valve - Main airline filter with 5µ filtration grade - Pilot regulated blast pressure - Door safety interlocks - Pulse cleaned cartridge filter - Electrical connection 0,50 kW, 380V, 3 phase, 50Hz <p>Working chamber size (W x D x H), mm 950 x 720 x 760 Weight, 246 kg Noise level, 80 .. 120 dB (2000/14EC) Standard load capacity, 350 kg</p>

Order code	Model	Description, package
10217213	ECO-120PF	<p>Blast cabinet, complete system, containing:</p> <ul style="list-style-type: none"> - Cabinet enclosure - 13 liter blast machine - Cartridge dust collector DC-370 (see. Table 2.2.) <p>Standard delivery:</p> <ul style="list-style-type: none"> - Quality 600 mm blast gloves with inner fabric lining - 13x27 mm blast hose with coupling/nozzle holder - Tungsten carbide venturi nozzle NTC-5.0 - FSV-0 metering valve - Main airline filter with 5µ filtration grade - Pilot regulated blast pressure - Door safety interlocks - Pulse cleaned cartridge filter - Electrical connection 0,50 kW, 380V, 3 phase, 50Hz <p>Working chamber size (W x D x H), mm 1150 x 920 x 860 Weight, 274 kg Noise level, 80 .. 120 dB (2000/14EC) Standard load capacity, 350 kg</p>
10217214	ECO-140PF	<p>Blast cabinet, complete system, containing:</p> <ul style="list-style-type: none"> - Cabinet enclosure - 13 liter blast machine - Cartridge dust collector DC-370 (see. Table 2.2.) <p>Standard delivery:</p> <ul style="list-style-type: none"> - Quality 600 mm blast gloves with inner fabric lining - 13x27 mm blast hose with coupling/nozzle holder - Tungsten carbide venturi nozzle NTC-5.0 - FSV-0 metering valve - Main airline filter with 5µ filtration grade - Pilot regulated blast pressure - Door safety interlocks - Pulse cleaned cartridge filter - Electrical connection 0,50 kW, 380V, 3 phase, 50Hz <p>Working chamber size (W x D x H), mm 1350 x 1120 x 960 Weight, 309 kg Noise level, 80 .. 120 dB (2000/14EC) Standard load capacity, 350 kg</p>

Order code	Model	Description, package
10217221	ECO-80PL	<p>Blast cabinet, complete system, containing:</p> <ul style="list-style-type: none"> - Cabinet enclosure - 13 liter blast machine - Cartridge dust collector DC-550 (see. Table 2.2.) <p>Standard delivery:</p> <ul style="list-style-type: none"> - Quality 600 mm blast gloves with inner fabric lining - 13x27 mm blast hose with coupling/nozzle holder - Tungsten carbide venturi nozzle NTC-5.0 - FSV-0 metering valve - Main airline filter with 5µ filtration grade - Pilot regulated blast pressure - Door safety interlocks - Pulse cleaned cartridge filter - Electrical connection 0,70 kW, 380V, 3 phase, 50Hz <p>Working chamber size (W x D x H), mm 750 x 520 x 660 Weight, 139 kg Noise level, 80 .. 120 dB (2000/14EC) Standard load capacity, 350 kg</p>
10217222	ECO-100PL	<p>Blast cabinet, complete system, containing:</p> <ul style="list-style-type: none"> - Cabinet enclosure - 13 liter blast machine - Cartridge dust collector DC-550 (see. Table 2.2.) <p>Standard delivery:</p> <ul style="list-style-type: none"> - Quality 600 mm blast gloves with inner fabric lining - 13x27 mm blast hose with coupling/nozzle holder - Tungsten carbide venturi nozzle NTC-5.0 - FSV-0 metering valve - Main airline filter with 5µ filtration grade - Pilot regulated blast pressure - Door safety interlocks - Pulse cleaned cartridge filter - Electrical connection 0,70 kW, 380V, 3 phase, 50Hz <p>Working chamber size (W x D x H), mm 950 x 720 x 760 Weight, 246 kg Noise level, 80 .. 120 dB (2000/14EC) Standard load capacity, 350 kg</p>

Order code	Model	Description, package
10217223	ECO-120PL	<p>Blast cabinet, complete system, containing:</p> <ul style="list-style-type: none"> - Cabinet enclosure - 13 liter blast machine - Cartridge dust collector DC-750 (see. Table 2.2.) <p>Standard delivery:</p> <ul style="list-style-type: none"> - Quality 600 mm blast gloves with inner fabric lining - 13x27 mm blast hose with coupling/nozzle holder - Tungsten carbide venturi nozzle NTC-5.0 - FSV-0 metering valve - Main airline filter with 5µ filtration grade - Pilot regulated blast pressure - Door safety interlocks - Pulse cleaned cartridge filter - Electrical connection 0,90 kW, 380V, 3 phase, 50Hz <p>Working chamber size (W x D x H), mm 1150 x 920 x 860 Weight, 274 kg Noise level, 80 .. 120 dB (2000/14EC) Standard load capacity, 350 kg</p>
10217224	ECO-140PL	<p>Blast cabinet, complete system, containing:</p> <ul style="list-style-type: none"> - Cabinet enclosure - 13 liter blast machine - Cartridge dust collector DC-750 (see. Table 2.2.) <p>Standard delivery:</p> <ul style="list-style-type: none"> - Quality 600 mm blast gloves with inner fabric lining - 13x27 mm blast hose with coupling/nozzle holder - Tungsten carbide venturi nozzle NTC-5.0 - FSV-0 metering valve - Main airline filter with 5µ filtration grade - Pilot regulated blast pressure - Door safety interlocks - Pulse cleaned cartridge filter - Electrical connection 0,90 kW, 380V, 3 phase, 50Hz <p>Working chamber size (W x D x H), mm 1350 x 1120 x 960 Weight, 309 kg Noise level, 80 .. 120 dB (2000/14EC) Standard load capacity, 350 kg</p>

Table 2.2

	Filtering media	Filtering surface, m ²	Fan power, kW	Fan capacity, m ³ /h	Fan pressure, Pa
DC-370	Polyester	2,7	0,37	800	1075
DC-550	Polyester	7,5	0,55	870	1310
DC-750	Polyester	11,0	0,75	900	1470

3. General Information

3.1. General Information

Contracor abrasive blast cabinets enclose the blasting environment, providing efficient blast cleaning while keeping the surrounding work area clean.

Blast cabinet production rates depend upon the size of the nozzle, the capacity of the compressor, the working pressure, the type and size of abrasive media and the distance between the nozzle and the area to be cleaned.

Contracor ECO-type pressure blast cabinets are made up of three main elements:

1. A robust, welded steel cabinet enclosure,
2. A 13-liter blast machine with a durable FSV-0 metering valve,
3. A dust collector consisting of a highly efficient fan and manually cleaned cartridge filter.

An automatic pulse-cleaned cartridge filter is available as an option.

3.2. Theory of Operation

When the air supply is on, and the cabinet door is closed, the blast machine is ready for operation by actuating the foot pedal. Only by fully depressing the pedal is the machine pressurized and blast media are propelled through the nozzle.

After striking the object being blasted, the blast media, along with fines, dust, and by-products generated by blasting, fall through the mesh work table into the cabinet hopper.

By releasing the foot pedal the machine is depressurized and blasting stops, allowing blast media to recollect in the machine.

The dust collector filter cartridge is cleaned by opening a ball valve, expanding compressed air at high velocity against the inner surface of the cartridge. The expanding air momentarily reverses airflow through the cartridge to release dust accumulated on the outer surface.

The dust particles fall away from the cartridge and into the hopper for removal.

A automatic pulsed air cleaned dust collector is available as an option. Here the dust collector filter cartridge is automatically cleaned by an electronically timed pulse of compressed air against the inner surface of the cartridge.

3.3. Blast Machine and Nozzle options

The blast machine pressure vessel is manufactured according to European CE regulations, as described in attached CE Certificate of conformity. The owner must ensure and maintain the integrity of the vessel, as may be required in some countries.



ATTENTION!

Excessive air pressure could cause the media chamber to rupture. To prevent serious injury or death, do not exceed the rated pressure of the media chamber vessel.

After having ensured that the air supply is activated and the cabinet door is closed, the media chamber can be actuated by the foot pedal. By pressing the foot pedal, the inlet valve is opened and the outlet valve is closed, resulting in the chamber being pressurized and the blasting beginning. By releasing the foot pedal, the chamber is depressurized and blasting stops. The standard nozzle delivered with the blast cabinet is a tungsten-carbide nozzle with a 5.0 mm orifice. In addition, 6.5 and 8.0 mm nozzles are available.

3.4. Blast Media

Contracor cabinets use most common media, 180 mesh and coarser, which have been specifically produced for dry blasting. The appropriate media mesh size and nozzle size are based on typical media flow. Thick media flow or low static pressure will decrease the size of the mesh and nozzle that can be used.

Steel blast media: Still grit or shot is acceptable for limited use with ECO-80P.... ECO-140P cabinets. To protect the cabinet walls from rapid wear rubber curtains should be used. This special requirement needs to be stated at the time of order.

Sand and Slag: Sand should never be used on account of the respiratory dangers associated with the use of media containing free silica. Slags are not recommended due to their rapid breakdown.



ATTENTION!

Abrasive blasting with sands containing crystalline silica can cause serious or fatal respiratory disease.

Aluminum Oxide, Silicon Carbide and Garnet: These may be used despite the fact that they are aggressive media. However, attention must be given to rapid wear on any part of the cabinet, reclaim, nozzle and/or hoses which come in contact with the media. A tungsten carbide nozzle must be used when utilizing any aggressive blast media. A tungsten carbide nozzle performs 10 to 20 times longer than its ceramic counterpart.

Glass Beads: The majority of beads have been specifically treated to guarantee free-flow operation even under conditions of moderately high humidity. In the case of glass beads having been subjected to excessive moisture, reuse is possible after thoroughly drying and separating any lumps.

3.5. Compressed Air Quality

Condensed water from the compressed air is reduced by the air filter at the air inlet connection. Use of the air filter is of particular importance in areas of high humidity or when fine-mesh media are being used. Dampness can cause media to clot, restricting free flow through the feed assembly. An air dryer may be necessary if moisture problems continue.

3.6. Compressed Air Requirements

The required air compressor capacity is determined by the blast nozzle size and pressure.

Table 3.2 Air Consumption

Ø Blast nozzle (mm)	REQUIRED AIR VOLUME (m ³ /min.) at working pressure, bar			
	3	4	5	6
5,0	0,7	0,8	0,9	1,0
6,5	1,3	1,5	1,7	1,9
8,0	2,0	2,5	2,0	3,3

NOTE: the above table shows only the air required for the blast nozzle. Additional air is required for the air cartridge cleaning, which must be added to the above values..

The above values are valid for nozzles when new. As nozzle wear increases, so does the air consumption, up to 70% to 80% more than when new.

4. Set-up, Operation and Shut Down

4.1. Installation and Set-up

4.1.1 Location

A location should be chosen where compressed air, water and electrical services are readily available. Access to all doors and service areas must be possible, as well as enough space for efficiently handling large parts.

4.1.2 Compressed Air Supply Line

The compressed air supply line should be connected with min. I.D. = 1/2" to the cabinet inlet. Use a flexible hose with the same min. I.D. as the main air line when connecting. Blasting performance may be diminished by using an air supply line or hose with a smaller diameter.



ATTENTION!

Before using the blast cabinet, make sure that all pipe fittings and hose clamps are tight. Serious injury could occur if the hose is disconnected while under pressure.

4.1.3 Grounding

The cabinet must be grounded to prevent the build up of static electricity. Attach an externally grounded wire to the grounding lug at the cabinet skirt.

4.1.4 Electrical Power Connection



ATTENTION!

A qualified electrician must carry out all electrical work according to the national and local standards.

A wiring plan is provided with the cabinet. Check the motor rotation after wiring is finished by momentarily turning the switch on and off. The motor will turn slowly. Inspect the rotation of the motor fan through the slots in the motor's housing. The fan should rotate clockwise when observed from the end of the fan towards the motor.



ATTENTION!

Never look into the reclaimer exhauster outlet while the exhauster is turning. Serious injury to the eyes or face can occur from objects being ejected from the exhauster.

4.1.5 Cabinet Static Pressure

Cabinet static pressure must be set to match the cabinet dimensions. The pressure inside the cabin is adjusted with the throttle valve which is located on the air & dust suction pipe on the dust collector. Try different settings of the throttle valve whilst blasting until the cabin visibility is good when the exhausting fan is switched on.

4.1.6 Foot Pedal

For easy access, the pedal should be situated on the floor at the front of the cabinet. The blast cabinet is intended to be operated by one-person. You must be able to remove your foot rapidly from the pedal in an emergency.

4.2. Blasting Operation

4.2.1 Loading Media

With the exhauster off, add clean dry media, by pouring it into the cabinet hopper through the cabinet loading door. Do not fill past the cone on the reclaimer. Overfilling will result in media carryover to the dust collector and possibly blockage in the conveying hose. Refill only after all media has been recovered from the cabinet. The minimum amount of media to charge the system is as follows:

- ECO-80P/100P/120P/140P- 20kg
- ECO-80PF/100PF/120PF/140PF- 20kg
- ECO-80PL/100PL/120PL/140PL- 20kg

4.2.2 Unloading Media

To empty media out of the blast cabinet, pressure must first be reduced to 3bar. Then place an empty container on the grate of the cabinet. Remove nozzle and washer from nozzle holder, close the door and choke valve, and depress the foot pedal. Media flow is to be directed into the container until full. Repeat as often as necessary until the machine is empty. Whilst handling the container, local Operational Health and Safety regulations are to be observed. When the machine is empty, return the choke valve to the fully open position. Inspect and clean the threads on nozzle holder and nozzle before reinstalling nozzle washer and nozzle.

4.2.3 Loading and Unloading Parts

Parts may be loaded and unloaded through the front cabinet door. The door may be opened so far as to allow loading from above, allowing use of a travelling crane, thereby increasing operator safety. Blasted parts must be free of oil, water, grease, or other contaminants that will clog media or filters. By closing the door, be certain that the door is sealed securely or door interlock system will prevent blasting.

4.2.4 Blasting Operation



ATTENTION!

Always close cabinet and dust collector doors before blasting. All doors must be kept closed during blasting. Always wear blast gloves. Never point the blast nozzle toward the view window.

Use the blow-off nozzle to blow media off parts before opening doors.

Keep doors closed after blasting and the exhauster on until the cabinet is clear of all airborne dust.

If dust leaks are detected, stop blasting immediately.

Always wear rubber blasting gloves while operating the blast cabinet.

Turn on the compressed air supply to the blast cabinet. Inspect for air leaks during the initial start up. Turn the on/off switch to t "I" to activate the lights and filter pulse cleaning (option). Push the "ON" button to turn on the exhauster.

Insert hands through the holes in the front door. Grasp the blast nozzle firmly and step on the pedal. Blasting will start immediately. Set blast pressure using the pilot regulator located on the control panel. The pressure gauge on the control panel indicates the actual blast pressure.

Smooth, continuous strokes are the most effective blasting technique. The size of the blast pattern is affected by the distance from the part. The nozzle is usually positioned approximately 70 to 150mm from the surface of the part.



ATTENTION!

Shut down the cabinet immediately if dust discharges from the collector. Check that filters are properly fitted and not worn or damaged. Prolonged breathing of any dust could result in serious lung disease or death. Short term ingestion of toxic dust, such as lead, poses an immediate danger to health. Toxicity and health risk vary with dust generated by blasting. Identify all material being removed by blasting, and obtain a material safety data sheet for the media.

During the blast cabinet operation, the dust collector must regularly be cleaned. This is done manually by opening the ball valve on the dust collector, which expands compressed air at high velocity onto the inner surface of the dust collector filter. This causes the dust to fall off the outer surface of the filter cartridge, and so permit reliable filtration of air. Open the ball valve for only one or two seconds, to give a pulse of compressed air onto the filter.

An automatic dust collector pulsed air cleaner is also available. Air is pulsed automatically onto the inner surface of the dust filter according to the timer settings. Prolonged periods of blasting or duty conditions may require adjustment of the timer settings.

4.2.5 Stop Blasting Operation and Shut Down

Remove pressure from the pedal.

Blow media off of the cleaned parts using the blow-off nozzle. Permit the exhauster to rid the blast cabinet of airborne dust before opening the door and unloading the parts. Push the "OFF" button to turn off the exhauster. Turn the on/off switch to "0" to turn off the lights and stop filter pulse cleaning (when fitted). Shut off the air supply to the blast cabinet and then drain the air filter.

4.3 Adjustment

4.3.1 Blasting Pressure

The operator is able to regulate blasting pressure to correspond to the application by using the pilot pressure regulator, which is located on the cabinet's control panel. For most applications approximately 5-6 bar is appropriate. Delicate substrates may require lower pressure, which can diminish media breakdown. Difficult blasting jobs on sturdy substrates necessitate higher pressure but will increase media breakdown. Maximum production can only be reached by carefully monitoring the blasting pressure. Turn the knob on the pilot regulator on the front of the control panel to regulate air pressure. Pull the knob out and turn it clockwise to increase pressure or counter-clockwise to decrease it. After the operating pressure has been set, push the knob back in to lock it.

4.3.2 Media metering

Media volume flow is adjusted by the metering valve at the foot of the blast machine. The abrasive metering valve consists of the valve body, abrasive in and outlets, as well as the handle which is connected to the dosing disc. The dosing disc has an opening which is of equal diameter to the abrasive inlet. The abrasive flow is regulated by the overlap of the dosing opening to the abrasive inlet. The abrasive flow is greatest when the dosing opening completely overlaps the abrasive inlet. This is the case when the handle is in the middle position. By turning the handle to the left or right, the overlap and the flow is reduced. The overlap is nil when the handle is in the full right or full left position, and the abrasive flow is nil.

Adjust flow rate according to type and size of blast media, blasting pressure, and the task at hand, ensuring to use as little media as possible whilst still maintaining a high cleaning pace. The correct mixture of air and abrasive can generally be distinguished by a slight discoloration at the exit of the nozzle.

4.3.3 Cabinet Static Pressure

Once the inlet is initially set in accordance with Section 4.1.5, it rarely needs readjustment. The initial setting creates a static pressure of approximately 50% to 75% in the cabinet enclosure. If readjustment is nevertheless necessary, open the throttle valve on the dust collector further to decrease pressure, or close the throttle valve further to increase static pressure.

4.3.4 Door Interlocks

The door interlock disables the blasting control circuit when the door is open. It is located on the gas-pressurized spring on the right hand side of the cabinet, which holds the door closed. To enable blasting, the door interlock switch must be engaged when the door is closed. The interlock is set at the factory and does not usually require field adjustment unless parts are replaced.



ATTENTION!

Never attempt to override the interlock system.

Doing so could result in injury from unexpected blasting.

To adjust the actuator, bend it by hand so that it engages the interlock switch when the door is fully closed.

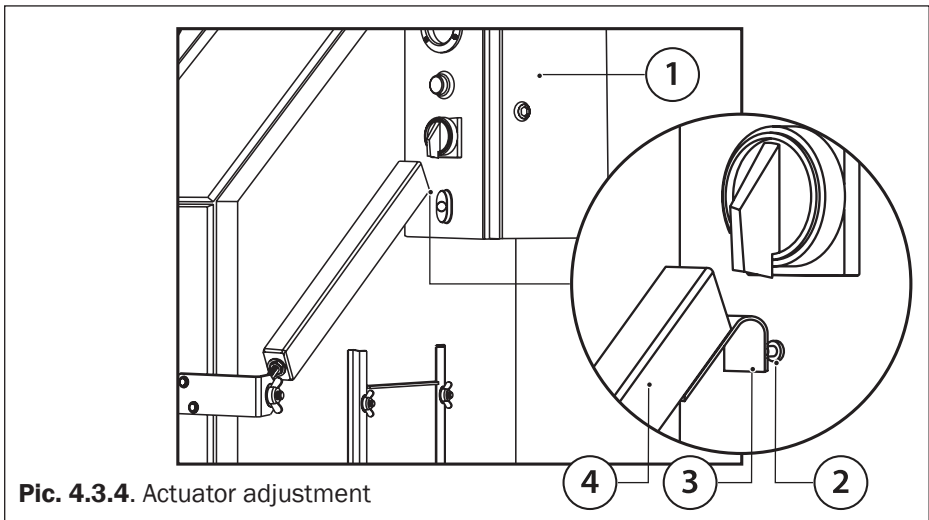


Fig. 4.3.4. Actuator adjustment

Operation should be tested with both opened and closed doors. During testing point the nozzle away from the door and open the door just enough to disengage the interlock switch. The interlocks should cause blasting to stop as soon as the doors are opened and allow blasting only when the doors are closed.

NOTE: Negative cabinet pressure could cause the doors to flex inward. The exhauster should be on while performing tests. Adjust the cabin static pressure if necessary.

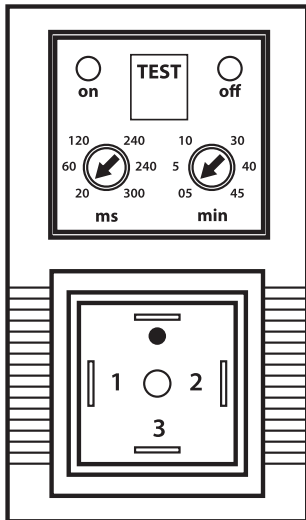
4.3.5 Pulse Pressure (option)

Adjust pulse pressure using the regulator mounted on the pulse manifold. The standard pulse pressure setting is 4.5 bar. If pulsation alone does not adequately clean the cartridge, increase pulse pressure by increments of 0,5 bar up to a maximum of 6.0 bar. Increasing pulse pressure over 6.0 bar may cause damage to the cartridge filter.

If after having increased the pressure dust cakes on the cartridges and differential pressure increases, adjust cycling of the pulses.

4.3.6 Timer (option)

Adjust pulse time and cycling on the timer (see drawing Picture 2. Special model ECO-80PF/100PF//120PF/140PF / Picture 3. Special model ECO-80PL/100PL//120PL/140PL for location). Use the timer to regulate pulse time and intervals(see drawing X for location). Use the “ON” scale to adjust the pulse length and “OFF” scale to adjust the intervals between pulses.



The initial setting is as follows:

Pulse length (“ON” scale) - 60 ms
(by 4.5 bar pulse pressure)

Interval between pulses (“OFF” scale) - 5 min

Pic. 4.3.6.Pulse time and cycling adjustment

5. Maintenance

5.1 Preventive Maintenance

5.1.1 FSV-0 Metering Valve

The FSV-0 metering valve must be regularly inspected for wear. To prolong the life of the valve, inspect the internal rubber lining regularly for wear and replace when necessary.

5.1.2 Dust Container

The dust container should be emptied at regular intervals. Check the container initially at least once a day or when adding media, the frequency thereafter should be based on use, contamination and friability of the media.

5.1.3 Air Line Filter

The cabinet comes with a manual drain airline filter. Drain the airline filter at least once a day or more often if necessary, or if water vapor is coming out the nozzle. Media flow is hindered by moist air. If moisture cannot be eliminated, a refrigerated air dryer could be necessary.

5.1.4 Blast Hose and Couplings

Check blast hose for excessive wear, particularly on the outside radius, to prevent punctures. Check couplings and coupling gaskets for leakage and wear.

5.2 Service Maintenance

5.2.1 Gloves

Included for operator comfort are special static-dissipating gloves. Gloves must be changed periodically as they will wear out. Excessive static shocks could be the first indication of deterioration.

5.2.2 Nozzle

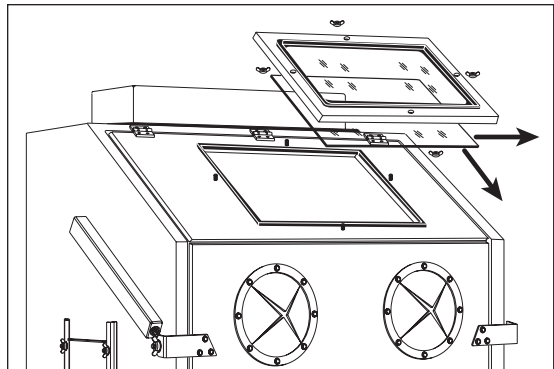
Replace the nozzle when its diameter has increased by max. 2mm or earlier if pressure diminishes noticeably.

5.2.3 Disposable Window Replacement

The window lies flat on the inner frame in the door, and is affixed when the frame of the exterior viewing window is affixed onto the door. To replace the interior disposable window, remove the four screws securing the viewing window frame. Remove the viewing window frame, and then lift the disposable window out. The interior window is manufactured from standard plate glass.

Examine the window frame gaskets, both on the window frame and on the cabinet. If damage is found on either gasket, it must be replaced according to Section 5.2.5.

Pic. 5.2.3. Disposable window replacement



5.2.4 Viewing Window Replacement



ATTENTION!

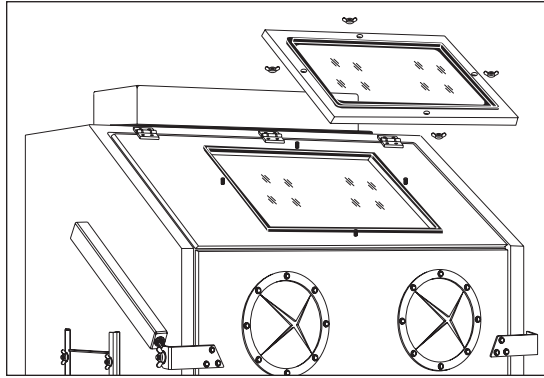
Never use plate glass for replacing view windows. It could shatter on impact and severe injury may occur.

Use only original manufacturer-approved laminated safety glass.

The viewing window is affixed with four screws, which are located in the corners of

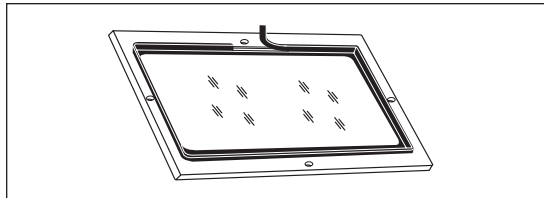
the window frame. To replace the window pane, loosen these four screws, and remove the window frame. Inspect the gaskets for damage. If either gasket is damaged, replace as per section 5.2.5.

Pic. 5.2.4.1. Windows frame removal



Take out the old window by pulling on the window molding.

Pic. 5.2.4.2. Viewing window replacement



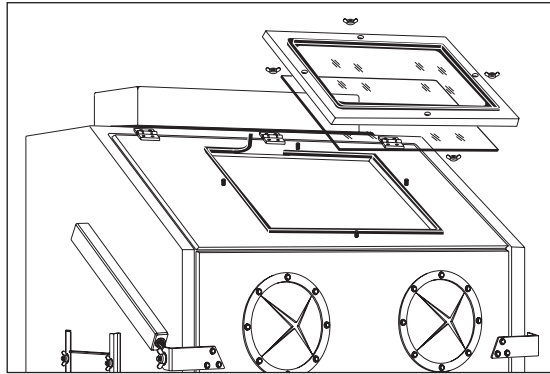
The window molding can be installed in the window opening by placing the narrow slit of the molding over the metal edge of the opening. The ends of the molding should meet in the middle of the straight section of the opening. Press on the molding so that the ends are tightly sealed. Insert the view window into the wide slit of the molding while working from the front.

5.2.5 Window Gasket Replacement

At the first sign of media leakage around the view window, or if gaskets seem to be damaged, the window frame gasket and cabinet window opening gasket need to be replaced.

Inspect the gaskets when replacing the view window. Take out the viewing window and window frame according to Section 5.2.4. Take out the old gasket material completely and clean all surfaces of the cabinet and window frame.

Pic. 5.2.5. Window gasket replacement



Peel off a small section of adhesive backing from the 15 mm strip gasket, and stick the gasket to the center of the top edge of the window opening as shown on Picture 10. Peel off more backing as necessary and guide the strip around the edges of each corner, pressing it firmly. Trim the gasket to fit and press the ends down to seal.

5.2.6 Filter Cartridge Replacement



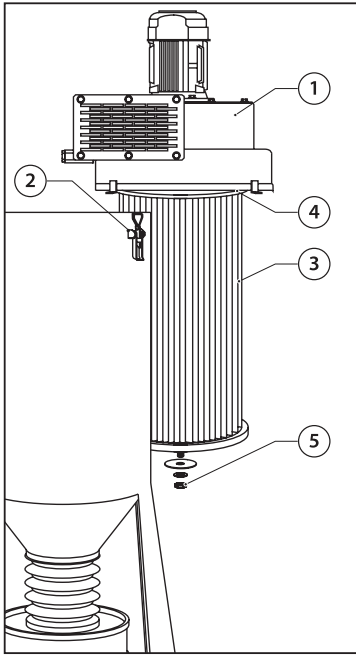
ATTENTION!

Failure to wear approved respirators and eye protection when servicing dust-laden areas of the cabinet and dust collector, or when emptying the dust collector, could result in serious eye irritation and lung disease or even death.

Toxicity and health risk differ according to the type of media and dust produced by blasting. The respirator must be specifically approved for the type of dust generated.

Identify all material being removed by blasting and get a material safety data sheet for the blast media.

Air supply to the cabinets must be closed and all air released from the pulse manifold. Loosen the three hook-and-eye closures and remove the dust collector lid and fan. Remove the filter cartridge retaining nut, washer and gasket. Lift the filter cartridge out of the dust collector housing. Clean all parts that will be reused, especially around the cartridge sealing area. Scrape off any residual gasket material from the fan housing and dust collector housing sealing surfaces.



Pic. 5.2.6. Filter cartridge replacement

Install the new cartridge and gasket. Tighten the retaining nut until the cartridge cannot be moved by hand. Tighten the nut one additional full turn. Check the gasket between fan housing and dust collector housing for any condition that will prevent the gasket from sealing. Replace the gasket if necessary. Reattach the fan and lid, and attach the three hook-and-eye closures. Season the cartridge per section 5.2.7.

5.2.7 Filter Cartridge Seasoning

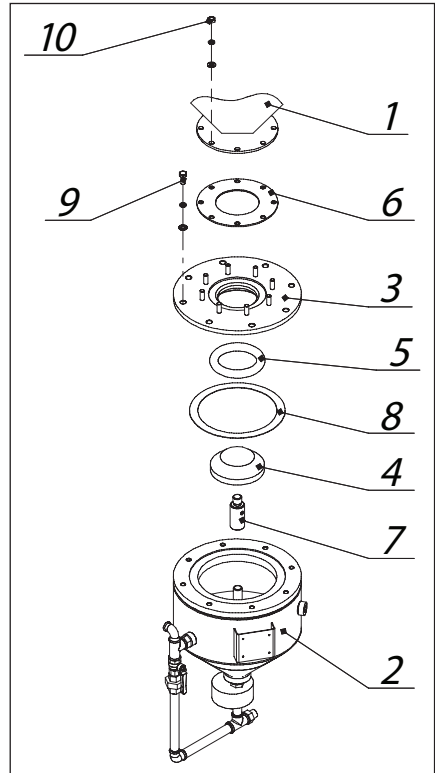
New cartridges must be seasoned. Cartridges are seasoned by letting a dust cake develop on the filter media before cleaning the filter cartridge. Operate the cabinet without cleaning the cartridge for about two hours, or until visibility in the cabinet decreases, whichever comes first. Only at that point should the dust collector filter be cleaned by opening and closing the ball valve rapidly several times, thereby expanding a pulse of compressed air onto the inner surface of the filter.

When fitted with an automatic pulsed air cleaned dust collector, reduce the pressure of the pulse regulator to 0 bar. The timer will continue to pulse, but as the pulse pressure is null, no cleaning of the filter will occur. Operate the cabinet without pulsing for about two hours, or

until visibility decreases, which ever comes first. At that point turn the pulse regulator to 4,5 bar, to start the normal pulsing cycle.

5.2.8 Pop-up Valve Seat Replacement

To change the pop-up valve (4) and O-ring (5), the flange of the blast vessel (3) has to be disconnected from the flange of the cabin (1). To this end, unscrew the bolts (10) and carefully disconnect the blast vessel (2) via the flange (3) from the cabin (1). Inspect the O-ring (5) for wear and damage. If necessary, replace it by using a flat-head screwdriver to remove the worn seal. Unscrew the bolts (9) and remove the flange (3) from the blast vessel (2). Remove the pop-up valve (4) and guide (7) from the pipe of the blast vessel (2), and then unscrew the pop-up valve (4) from the guide (7). Screw the new pop-up valve (4) onto the guide (7), and reassemble and install the blast vessel in the reverse order, replacing the gaskets(6) and (8) if required.



Pic. 5.2.8. Pop-up Valve and O-ring Replacement

6. Troubleshooting



ATTENTION!

Observe the following rules when troubleshooting to avoid serious injury:

- Turn off the air. Lock out and tag out the air supply.
- If air is needed to check the controls, always get help from another person to:
- Hold the nozzle securely.
- Operate the foot pedal.
- Never bypass the foot pedal or wedge it in the operating position.
- Never override the door interlock system.

6.1 Poor Visibility

6.1.1 Poor visibility could be due to a dirty filter cartridge. The dust container should be emptied on a regular basis. Examine and replace the cartridge if required. It is imperative that the dust collector filter be regularly cleaned (see section 4.2.4).

6.1.2 If the motor is rotating backwards, poor visibility could result. The motor should rotate as shown by the arrow on its housing. If it is not rotating in the right direction, lockout and tag-out the power supply and exchange the motor leads as indicated on the motor plate.

6.1.3 Poor visibility can occur due to use of soft media, which breaks down too quickly, or use of media which is too fine or worn out.

6.1.4 If the outlet throttle valve is closed too far, it can restrict air flow in the cabinet causing poor visibility. Regulate the static pressure according to Section 4.3.4..

6.2. Abnormally High Media Consumption

6.2.1 Inspect the outlet damper to determine if it is open too far. Adjust static pressure according to Section 4.3.4.

6.2.2 Usage of soft media that breaks down quickly or using media that is too fine or worn out can cause abnormally high media consumption.

6.2.3 The nozzle pressure is adjusted too high for the media, which results in media breakdown.

6.3. Reduction in Blast Cleaning Rate

6.3.1 Low media level can diminish media flow. Inspect and fill if level is too low.

6.3.2 Improper metering valve adjustment. Regulate according to Section 4.3.3.

6.3.3 Reduced air pressure. A malfunctioning regulator, a dirty filter element in the air filter, a partially closed air valve, a leaking air line or other air tools being used could be causes.

6.3.4 The blast hose or nozzle is blocked. Blockage can be the result of a missing debris screen or incorrect metering valve adjustment allowing heavy media flow. Examine media valve adjustment according to Section 4.3.3.

6.3.5 Worn out nozzle. Examine and replace if damaged or worn out.

6.3.6 Worn out blast hose. Inspect the hose for leaks and soft spots. Replace if damaged or worn out.

6.3.7 Moist blast media. Frequent bridges or blockage near the metering valve can be caused by moisture. Refer to Section 4.3.3.

6.4. Air only (no media) comes out the nozzle

6.4.1 Ensure that media is in the machine.

6.4.2 Check that the media metering valve is not in the fully right or fully left position.

6.4.3 Check that the metering valve is not blocked by fully opening the metering valve and closing the choke valve. Depress foot pedal to exhaust any obstacles. Should the problem not be rectified by this procedure, release pressure in the machine and open metering valve and check for foreign objects.

6.4.4.Ensure that the tubing leading from the diaphragm outlet valve is not blocked or leaking.

6.4.5. Media metering valve requires service. Refer to metering valve operating manual.

6.5. Neither media nor air comes out the nozzle

6.5.1 Release pressure in the machine and check for obstruction in the nozzle.

6.5.2 Check that that blast machine is pressurized by depressing the foot pedal. Is this is not the case, refer to Section 6.8.

6.5.3 Ensure that metering valve and choke valve are opened.

6.6. Blasting does not Stop when the Pedal is Released

6.6.1 Air should be exhausted by the 3-way valve in the pedal when released. Should this not be the case, inspect tubing for obstructions and inspect switches.

6.7. Blast Machine Will Not Pressurize

6.7.1 Ensure that the air compressor is on and the air supply valve is in the open position.

6.7.2 Check that the air pressure regulator is set above 3 bar.

6.7.3 Door interlocks do not engage. To adjust door interlocks, refer to Section 4.3.4.

6.7.4 Ensure diaphragm in outlet valve is not worn.

6.7.5 Check wear and alignment on pop-up valve and seat.

6.7.6 Blocked or leaking control lines. Verify integrity of all fittings and tubing.

6.7.7 3-way valve in foot pedal is faulty. Check alignment of pedal and pressure in inlet and outlet tubing.

6.7.8 Ensure that lines are correctly mounted on foot pedal or pilot regulator. For correct installation, refer to Picture 20 Pneumatic circuit diagram.

6.8. Blast Machine Will Not Depressurize Or Depressurizes Too Slowly

6.8.1 Air should be exhausted by the 3-way valve in the pedal when released. Should this not be the case, inspect switch.

6.8.2 Check the outlet rubber hose leading to the cabinet for blockage.

6.9. Heavy Media Flow

6.9.1 Ensure the choke valve is opened.

6.9.2 Media flow may be too high. Adjust media metering valve as per Section 4.3.2. If adjusting metering valve does not control media flow, empty machine of media, depressurize

and shut off and disconnect from air supply. Disassemble and inspect the flow valve for wear.

6.10. Media Surge: A small amount of surge is normal at start-up

6.10.1 Heavy media flow. Adjust per Section 4.3.2..

6.10.2 Metering valve is defective. Disassemble metering valve and inspect parts for excessive wear.

6.11. Static Shocks

6.11.1 The cabinet and/or operator is not grounded. Abrasive blasting produces static electricity. Always ground the cabinet to prevent static build-up. Consult Section 4.1.3. If static shocking continues, the operator could be building up static. A small grounding wire (e.g. a wrist strap) should be attached from the operator to the cabinet.

6.11.2 Do not hold parts off the grating. If not dispersed through the metal cabinet, static will build up in the part.

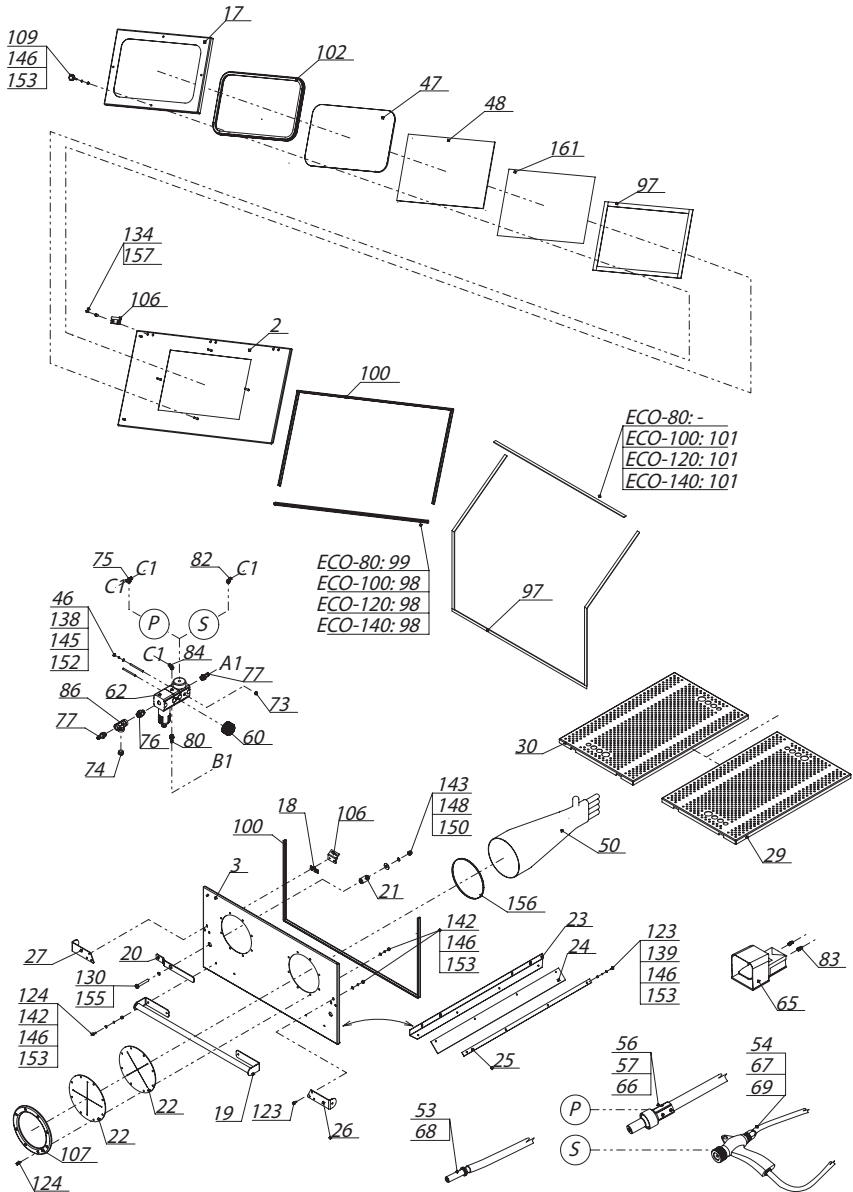
6.12. Dust Collector Leaking Dust

6.12.1 The cartridge may be damaged or loose. Examine the filter cartridge.

6.12.2 Faulty seal on dust collector lid. Check the seal and replace it if damaged.

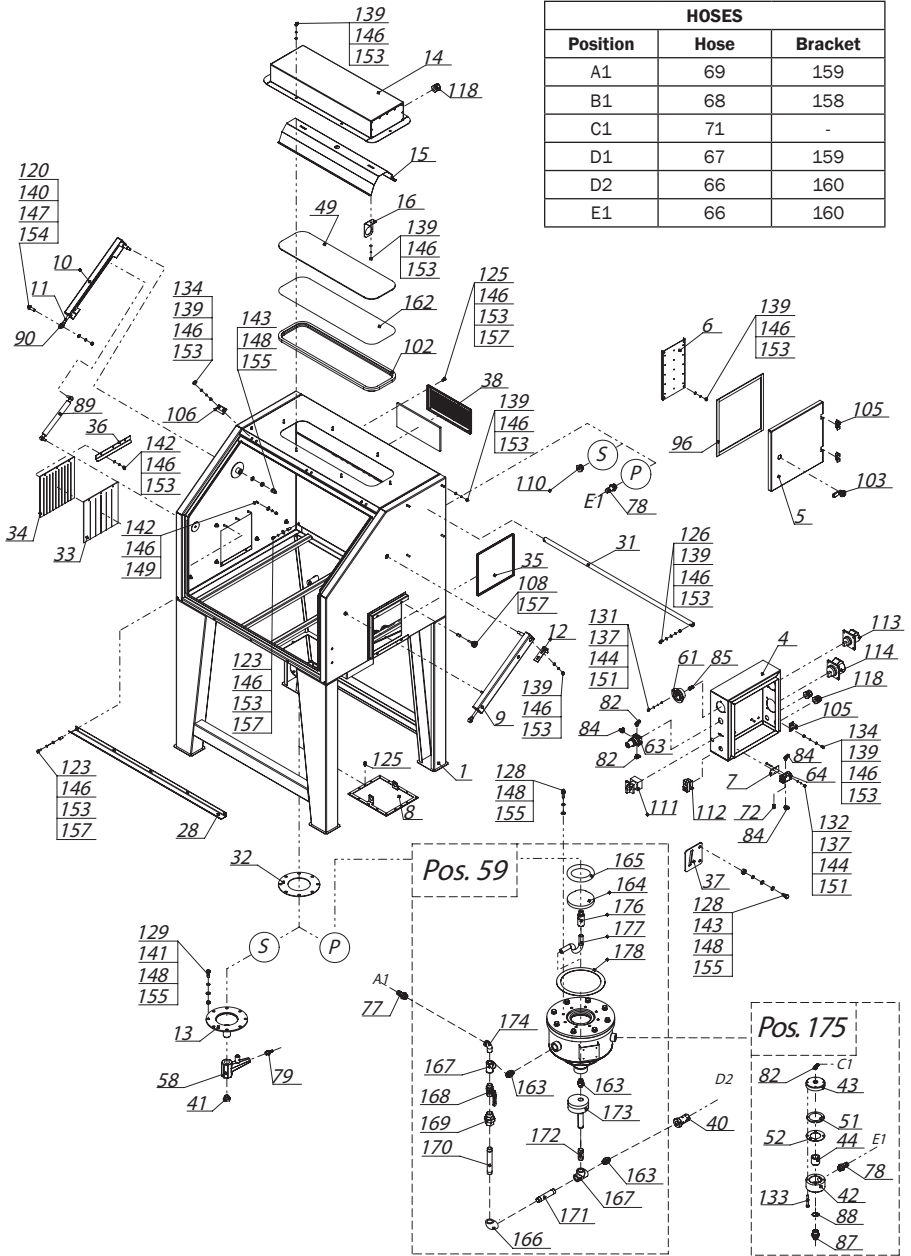
7. Replacement parts

7.1. Cabinet assembly



Pic. 7.1.1. Cabinet components overview ECO-80P/100P/120P/140P

HOSES		
Position	Hose	Bracket
A1	69	159
B1	68	158
C1	71	-
D1	67	159
D2	66	160
E1	66	160



Pos. No.	Artikele No.	Description	ECO 80P	ECO 100P	ECO 120P	ECO 140P
1	88000003	Cabinet body	1			
	88000004	Cabinet body		1		
	88000005	Cabinet body			1	
	88000006	Cabinet body				1
2	81100042	Cabinet door upper	1			
	81100044	Cabinet door upper		1		
	81100046	Cabinet door upper			1	
	89500001	Cabinet door upper				1
3	81100043	Cabinet door low	1			
	81100045	Cabinet door low		1		
	81100047	Cabinet door low			1	
	89500002	Cabinet door low				1
4	83400018	El. Cabinet	1	1	1	1
5	83100040	E. cabinet door	1	1	1	1
6	86900009	Panel	1	1	1	1
7	89300001	Plate	1	1	1	1
8	87100011	Grid	1	1	1	1
9	88300004	Right rod		1		
	88300007	Right rod			1	
	88300010	Right rod				1
10	88300005	Left rod		1		
	88300008	Left rod			1	
	88300011	Left rod				1
11	89200001	Shaft	2	2	2	2
12	82100004	Shoulder	1	1	1	1
13	88700002	Cone				
14	83400019	Lantern	1	1	1	1
15	82600003	Reflector	1	1	1	1
16	80600030	Bracket	2	2	2	2
17	83900012	Frame	1	1	1	1
18	85800005	Plate	2	4	6	8
19	87500005	Handle	1			
	87500004	Handle		1	1	1
20	87500003	Handle	2	2	2	2
21	86000003	Muff	2	2	2	2
22	84000004	Rubber shield	4	4	4	4

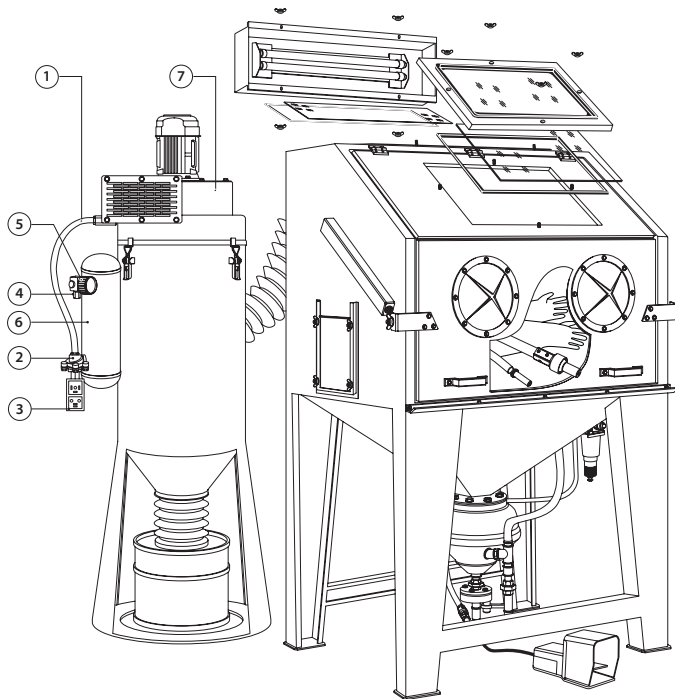
Pos. No.	Artikele No.	Description	ECO 80P	ECO 100P	ECO 120P	ECO 140P
23	82400041	Strip	1			
	82400025	Strip		1		
	82400026	Strip			1	
	82400027	Strip				1
24	82400042	Rubber shield	1			
	82400043	Rubber shield		1		
	82400044	Rubber shield			1	
	82400040	Rubber shield				1
25	81050002	Strip	1			
	82400038	Strip		1		
	82400045	Strip			1	
	82400039	Strip				1
26	80600018	Bracket	1			
	80600021	Bracket		1		
	80600023	Bracket			1	1
27	80600019	Bracket	1			
	80600020	Bracket		1		
	80600024	Bracket			1	1
28	89100001	Gutter	1			
	89100002	Gutter		1		
	89100003	Gutter			1	
	89100004	Gutter				1
29	88800005	Floor plate	1			
	88800007	Floor plate		1		
	88800009	Floor plate			1	
	88800011	Floor plate				1
30	88800006	Floor plate	1			
	88800008	Floor plate		1		
	88800010	Floor plate			1	
	88800012	Floor plate				1
31	88300003	Rod	1			
	88300006	Rod		1		
	88300009	Rod			1	
	88300012	Rod				1
32	88500007	Rubber gasket	1	1	1	1
33	84000005	Rubber shield	2	2	2	2
34	84000006	Rubber shield	2	2	2	2

Pos. No.	Artikele No.	Description	ECO 80P	ECO 100P	ECO 120P	ECO 140P
35	88400002	Dumper plate	2	2	2	2
36	82600004	Reflector plate	2	2	2	2
37	81400014	Plate	2	2	2	2
38	89400002	Grid socket	1	1	1	1
39	22020001	Pin-wrench	1	1	1	1
40	85800003	Screw connection	1	1	1	1
41	52030002	Plug				
42	83400025	Blow-out valve body	1	1	1	1
43	81100054	Blow-out valve top	1	1	1	1
44	10100001	Blow-out valve socket	1	1	1	1
46	85900002	Pin	2	2	2	2
47	22030001	Safety glas window	1	1	1	1
48	22030002	Disposable window	1	1	1	1
49	22030003	Light glass window	1	1	1	1
50	10115606	Blast cabinet gloves	1	1	1	1
51	29000028	Diaphragm	1	1	1	1
53	10115901	Air blow-off nozzle	1	1	1	1
54	10115300	Blast cabinet gun				
55	10115508	Nozzle				
56	10112551	Nozzle	1	1	1	1
57	10112209	Nozzle holder	1	1	1	1
58	10115920	Metering valve				
59	22040001	Blast machine assembly	1	1	1	1
60	51202008	Pressure gauge		1	1	1
61	51202010	Pressure gauge	1	1	1	1
62	51203002	Pneumatic filtration and control unit	1	1	1	1
63	51201001	Pressure regulator	1	1	1	1
64	51203007	Door interlock	1	1	1	1
65	51203003	Pneumatic foot pedal	1	1	1	1
66	10112109	Blast hose	3,05	3,05	3,45	4,14
67	41102004	Rubber hose				
68	10130900	Rubber hose	1,9	2	2,3	2,8
69	41200001	Rubber hose	1	1	1,1	1,3
70	41101003	Rubber hose	2	2	2	2
71	41101001	Rubber hose	8,4	8,5	8,9	10,7
72	51204001	Silencer	1	1	1	1
73	51205003	Plug	1	1	1	1

Pos. No.	Artikele No.	Description	ECO 80P	ECO 100P	ECO 120P	ECO 140P
74	51205006	Plug	1	1	1	1
75	51100015	Screw connection	1	1	1	1
76	51400006	Screw connection	1	1	1	1
77	51300002	Screw connection	3	3	3	3
78	85800006	Screw connection	2	2	2	2
79	51300007	Screw connection				
80	51300008	Screw connection	1	1	1	1
81	51300009	Screw connection	1	1	1	1
82	51100004	Screw connection	3	3	3	3
83	51100003	Screw connection	2	2	2	2
84	51100004	Screw connection	4	4	4	4
85	51100006	Screw connection	1	1	1	1
86	52070001	Screw connection	1	1	1	1
87	51400010	Screw connection	1	1	1	1
88	67000008	Gasket	1	1	1	1
89	51500002	Gas spring	2			
	51500003	Gas spring		2		
	51500005	Gas spring			2	
	51500010	Gas spring				2
90	51500013	End piece	2	2	2	2
91	90855146	Rubber gland	2	2	2	2
92	90855156	Rubber gland				
93	90855166	Rubber gland	2	2	2	2
94	90855155	Rubber plug	2	2	2	2
95	90855165	Rubber plug				
96	90407004	Gasket	3,07	3,07	3,07	3,07
97	90407005	Gasket	2,9	2,7	3,2	3,4
98	90401004	Gasket	0,8	0,9	1,1	1,3
99	90401001	Gasket	2,9	2,1	2,1	2,1
100	90401002	Gasket	2,9	3,5	4,2	4,5
101	90401005	Gasket	0,8	0,9	1,1	1,3
102	90406001	Gasket	3,2	3,2	3,2	3,2
103	90201001	Lock	1	1	1	1
104	90203001	Key	1	1	1	1
105	90202003	Hinge	2	2	2	2
106	90202006	Hinge	4	5	6	8
107	22140005	Flange	2	2	2	2

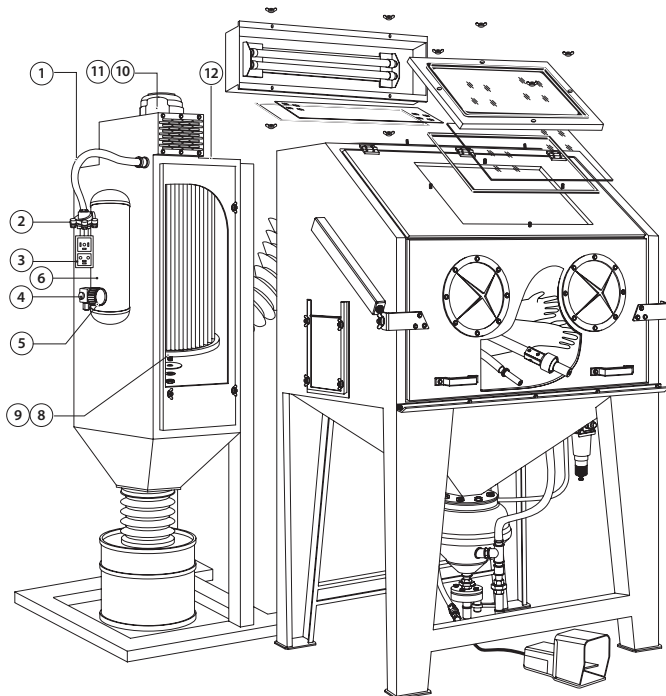
Pos. No.	Artikele No.	Description	ECO 80P	ECO 100P	ECO 120P	ECO 140P
108	90204004	Knob	8	8	8	8
109	90204006	Knob	4	4	4	4
110	52030001	Plug				
111	32060001	Main switch 0-I	1	1	1	1
112	33070001	Double pushbuttons ON / OFF	1	1	1	1
113	33280003	Jack	1	1	1	1
114	33280005	Jack	1	1	1	1
115	33270005	Plug	1	1	1	1
116	33140003	Lamp	2	2	2	2
117	33140004	Lamp socket	2	2	2	2
118	33030002	Glang	4	4	4	4
119	33030012	Glang	1			
120	61110830	Hexagon Screw	2	2	2	2
121	61110610	Hexagon Screw	8	8	8	8
122	61110612	Hexagon Screw	8	8	8	8
123	61110616	Hexagon Screw	13	13	13	13
124	61110620	Hexagon Screw	24	24	30	30
125	61110630	Hexagon Screw	8	8	8	8
126	61110640	Hexagon Screw	2	2	2	2
127	61110855	Hexagon Screw	1	1	1	1
128	61111025	Hexagon Screw	12	12	12	12
129	61111030	Hexagon Screw				
130	61111070	Hexagon Screw	2	2	2	2
131	62310420	Screw	3	3	3	3
132	62510410	Screw	3	3	3	3
133	62110860	Screw	4	4	4	4
134	62310616	Screw	24	24	24	24
135	62510420	Screw	8	8	8	8
136	62804213	Screw	8	8	8	8
137	63110004	Nut	6	6	6	6
138	63110005	Nut	4	4	4	4
139	63110006	Nut	46	46	60	60
140	63110008	Nut	7	9	8	8
141	63110010	Nut	8	10	10	10
142	63300006	Nut	50	50	50	50
143	63300010	Nut	8	8	8	8
144	64310004	Spring Washer	6	6	6	6

Pos. No.	Artikele No.	Description	ECO 80P	ECO 100P	ECO 120P	ECO 140P
145	64310005	Spring Washer	4	4	2	2
146	64310006	Spring Washer	112	112	126	126
147	64310008	Spring Washer	4	6	6	6
148	64310010	Spring Washer	10	10	10	10
149	64210006	Washer	26	26	26	26
150	64210010	Washer	4	4	4	4
151	64110004	Washer	6	6	6	6
152	64110005	Washer	4	4	4	4
153	64110006	Washer	106	106	106	106
154	64110008	Washer	2	2	2	2
155	64110010	Washer	16	12	12	18
156	90100001	Clamp for hose	4	4	4	4
157	66010002	Rivet	43	43	43	43
158	90100005	Clamp for hose	2	2	2	2
159	90100006	Clamp for hose	6	6	6	6
160	90100007	Clamp for hose	2	2	2	2
161	87100014	Grid	1	1	1	1
162	87100015	Grid	1	1	1	1
163	10110521	Nipple	3	3	3	3
164	10110960	Pressurizing valve	1	1	1	1
165	10110950	Ring	1	1	1	1
166	10110548	Elbow	1	1	1	1
167	10110524	T-piece	2	2	2	2
168	10110525	Ball valve	1	1	1	1
169	10110522	Union	1	1	1	1
170	10110546	Pipe	1	1	1	1
171	10110529	Pipe	1	1	1	1
172	10110531	Pipe	1	1	1	1
173	10110520	Abrasive metering valve	1	1	1	1
174	10110550	Elbow	1	1	1	1
175	51203005	Blow-out valve	1	1	1	1
176	10110532	Guide	1	1	1	1
177	82000135	Guide	1	1	1	1
178	90403034	Gasket	1	1	1	1



Pic. 7.1.2. Special model ECO-80PF/100PF/120PF/140PF

Pos. No	Order code	Description	Amount
	10117525	Pulse jet cleaning system, upgrade package for DC-370	
1	10151002	AirFlex-19, Compressed air hose 19x28mm, 1m	0,5 m
2	51203004	Diaphragm pulse-jet valve 3/4"	1
3	32040001	Electronic timer for pulse-jet valve	1
4	51201001	Pressure regulator, 1/4"	1
5	10130404	Pressure gauge 1/8" (rubber cover)	1
6	88600001	Pulse-jet cleaning manifold	1
7	22010301	Impeller for DC-370	1



Pic. 7.1.3. Special model ECO-80PL/100PL/120PL/140PL

Pos. No	Order code	Description	Amount
	10117513	Cartridge dust collector DC-550, incl. 0,55 kW fan, cartridge filter, pulse jet cleaning system	
	10117514	Cartridge dust collector DC-750, incl. 0,75 kW fan, cartridge filter, pulse jet cleaning system	
1	10151002	AirFlex-19, Compressed air hose 19x28mm, 1 m	0,5 m
2	51203004	Diaphragm pulse-jet valve 3/4"	1
3	32040001	Electronic timer for pulse-jet valve	1
4	51201001	Pressure regulator, 1/4"	1
5	10130404	Pressure gauge 1/8" (rubber cover)	1
6	88600001	Pulse-jet cleaning manifold	1
8	22070103	Filter cartridge for DC-550	1
9	22070104	Filter cartridge for DC-750	1
10	31120002	Electric motor 0,55 kW for DC-550	1
11	31120003	Electric motor 0,75 kW for DC-750	1
12	22010101	Impeller for DC-550	1
	22010201	Impeller for DC-750	1

7.2. Pneumatic circuit diagram

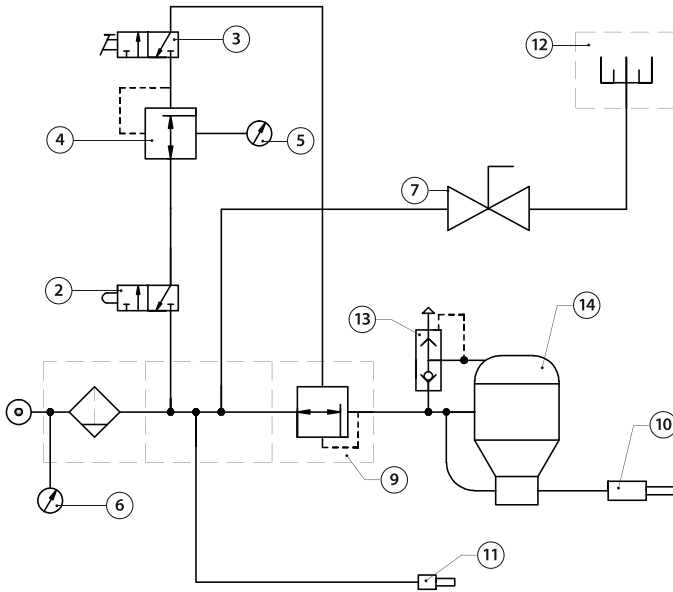
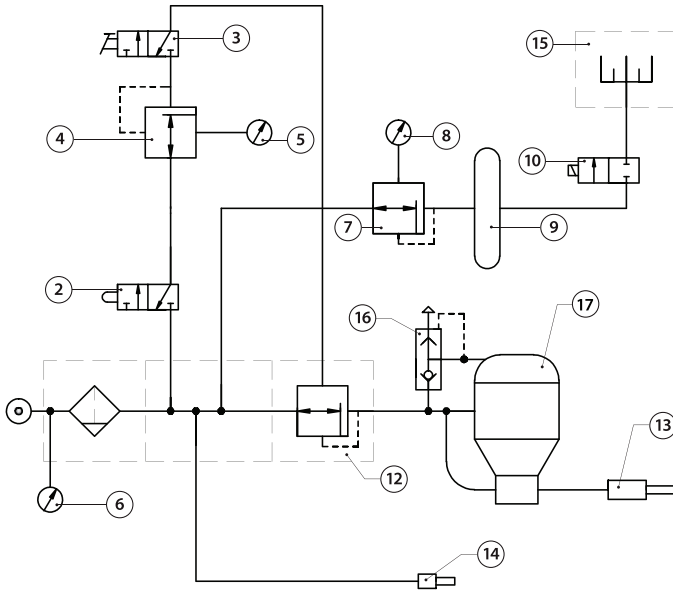


Fig. 7.2.1. Pneumatic circuit diagram special model ECO-80P/100P/120P/140P

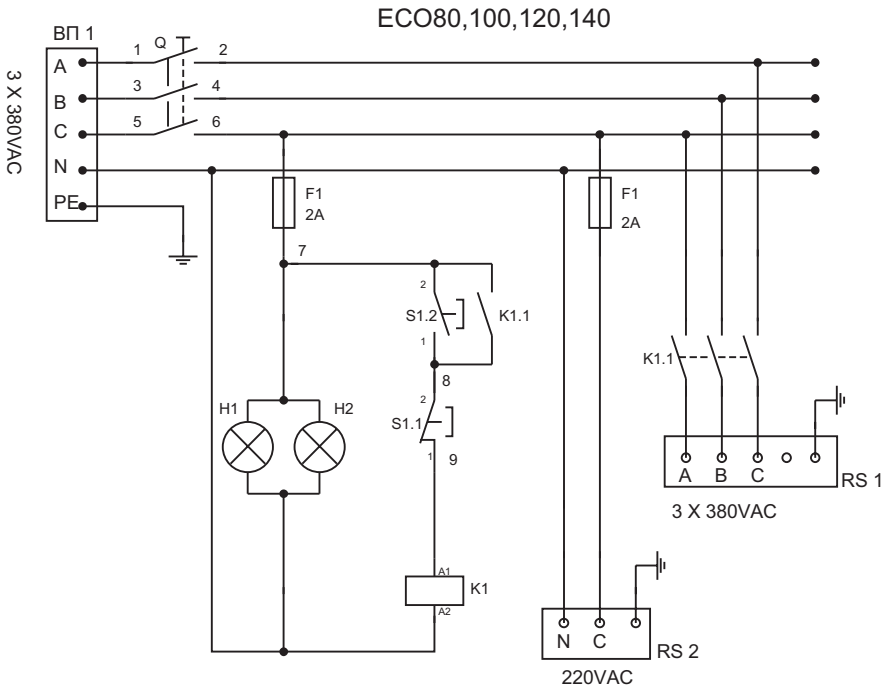
Pos. No	Order code	Description
2	51203007	Door interlock 1/8"
3	51203003	Pneumatic foot pedal
4	51201001	Pressure regulator, 1/4"
5	51202010	Panel mounting pressure gauge 1/8"
6	10130404	Pressure gauge 1/8" (rubber cover)
7	10110525	Ball valve, 1/2", (FM)
9	51203002	Pressure regulator 1", pilot operated
10	10112551	NTC-5.0, Short Venturi nozzle, tungsten carbide, 5.0 mm x 45 mm
11	10115901	Air blow-off nozzle, rubber
12	22070106	Cartridge filter for DC-370
13	51203005	Blow-out valve, ECO-series
14	22040001	Blast machine assembly, 13 liter, for ECO-series



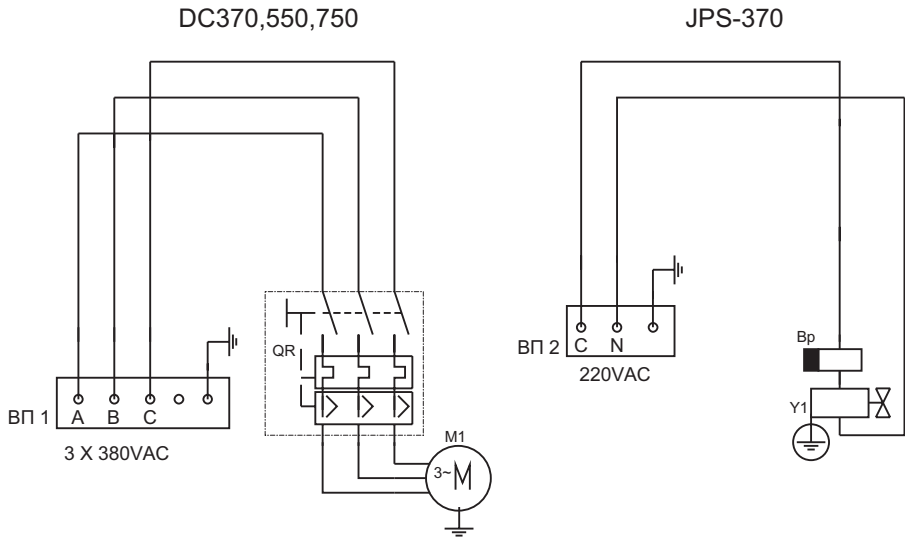
Pic. 7.2.2. Pneumatic circuit diagram special model
ECO-80PF/100PF/120PF/140PF/ ECO-80PL/100PL/120PL/140PL

Pos. No	Order code	Description
2	51203007	Door interlock 1/8"
3	51203003	Pneumatic foot pedal
4	51201001	Pressure regulator, 1/4"
5	51202010	Panel mounting pressure gauge 1/8"
6	10130404	Pressure gauge 1/8" (rubber cover)
7	51201001	Pressure regulator, 1/4"
8	51202008	Pressure gauge 1/4" (rubber cover)
9	88600001	Pulse-jet cleaning manifold
10	51203004	Diaphragm pulse-jet valve 3/4"
12	51203002	Pressure regulator 1", pilot operated
13	10112551	NTC-5.0, Short Venturi nozzle, tungsten carbide, 5.0 mm x 45 mm
14	10115901	Air blow-off nozzle, rubber
15	22070106	Cartridge filter for DC-370
	22070103	Cartridge filter for DC-550
	22070104	Cartridge filter for DC-750
16	51203005	Blow-out valve, ECO-series
17	22040001	Blast machine assembly, 13 liter, for ECO-series

7.3. Electric circuit diagram



Pic. 7.3.1. Electric circuit diagram standard delivery ECO-80/100/120/140



Pic. 7.3.2. Electric circuit diagram DC-370/550/750

Pos. No	Order code	Description
K1	35010011	Contacteur 3-poles
S1	33070001	Doppeldrucktaster EIN / AUS
HS	32060001	Main switch O-I
M	31120001	Electric motor DC-370
	31120002	Electric motor DC-550
	31120003	Electric motor DC-750
Y1	51203004	Diaphragm pulse-jet valve
F	32080002	Fuze
RS 1,2	33280005	Jack
	33280003	Jack
BП 1,2	33270005	Plug
	33270006	Plug
Bp	32040001	Electronic timer
QR	32130003	Automatic switch
	32130002	Automatic switch

1. Sicherheitshinweise	52
2. Lieferumfang und Beschreibung	53
3. Aufbau, Betrieb und Beenden der Arbeit	66
4. Strahlvorgang	69
5. Wartung	77
6. Störungsbeseitigung	83
7. Allgemeine Zeichnungen/Diagramme	87



ACHTUNG!

BITTE LESEN SIE DIESES HANDBUCH VOR GEBRAUCH DER MASCHINE GENAU DURCH:

DIE FOLGENDEN INFORMATIONEN SIND WICHTIG FÜR DIE SICHERHEIT UND GESUNDHEIT DES ANWENDERS UND PERSONEN, DIE SICH IN DER NÄHE AUFHALTEN.



ACHTUNG!

ACHTEN SIE BEIM KAUF DER MASCHINE BITTE DARAUF, DASS DIE GARANTIEKARTE VOLLSTÄNDIG AUSGEFÜLLT WIRD.

WENN DIE KARTE NICHT AUSGEFÜLLT VORLIEGT, BESTEHT KEIN GARANTIEANSPRUCH.

1. Sicherheitshinweise

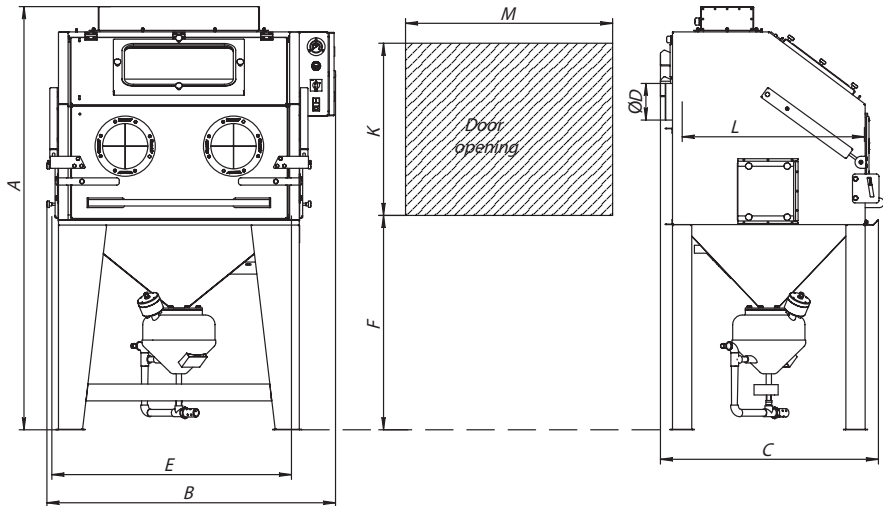


ACHTUNG!

SICHERHEITSREGELN FÜR DEN BETRIEB DER STRALKABINE

- 1. Tragen Sie bei Strahlarbeiten immer Schutzhandschuhe.**
- 2. Benutzen Sie keine abgenutzte oder beschädigte Ausrüstung.**
- 3. Richten Sie die Düse nur auf den zu bearbeitenden Bereich. Richten Sie die Düse nie auf das Kabinfenster.**
- 4. Verwenden Sie nur trockene, gut durchgesiebte Strahlmittel, die für Strahlarbeiten geeignet sind.**
- 5. Vor Beginn der Arbeit mit der Stralkabine:**
 - Stellen Sie sicher, dass Handschuhe, Dichtungen, Schläuche und Verbinder nicht abgenutzt sind.**
 - Bei Verwendung von Schlauchverbindern müssen diese mit Draht gesichert werden**
 - Stellen Sie sicher, dass die Kabine geerdet ist**
- 6. Während des Strahlvorgangs müssen alle Türen an Kabine, Rückgewinnung und Staubabscheider geschlossen sein.**
- 7. Benutzen Sie die Abblasdüse um das Werkstück von Strahlmittel zu reinigen, bevor Sie die Absaugung abschalten und die Türen öffnen.**
- 8. Öffnen Sie die Türen oder schalten Sie die Absaugung erst ab, wenn die Luft in der Kabine staubfrei ist.**

2. Lieferumfang und Beschreibung



	A, mm	B, mm	C, mm	D, mm	E, mm	F, mm	K, mm	L, mm	M, mm	Masse, kg
ECO-80	1665	1000	685	52	800	890	620	535	680	139
ECO-100	1760	1200	910	52	1000	890	715	755	860	246
ECO-120	1860	1400	1110	52	1200	890	820	950	1085	274
ECO-140	2185	1650	1255	52	1350	1145	885	1130	1240	309

Abb. 2.1. Gesamtabmessungen Strahlkabine ECO-80P/100P/120P/140P

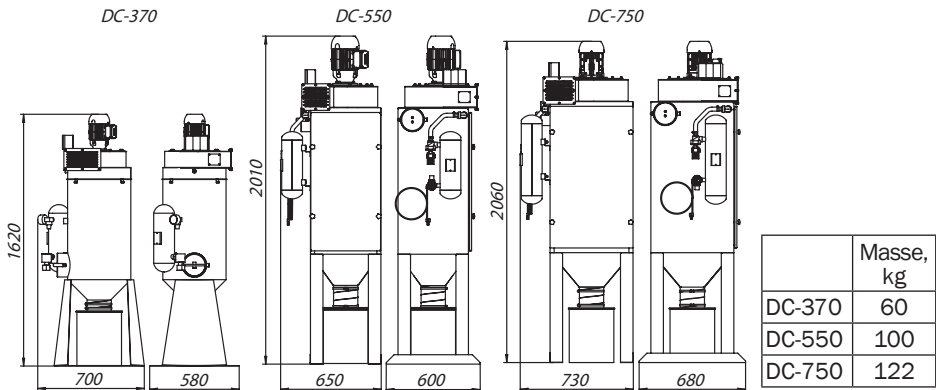


Abb. 2.2. Gesamtabmessungen DC-370/550/750

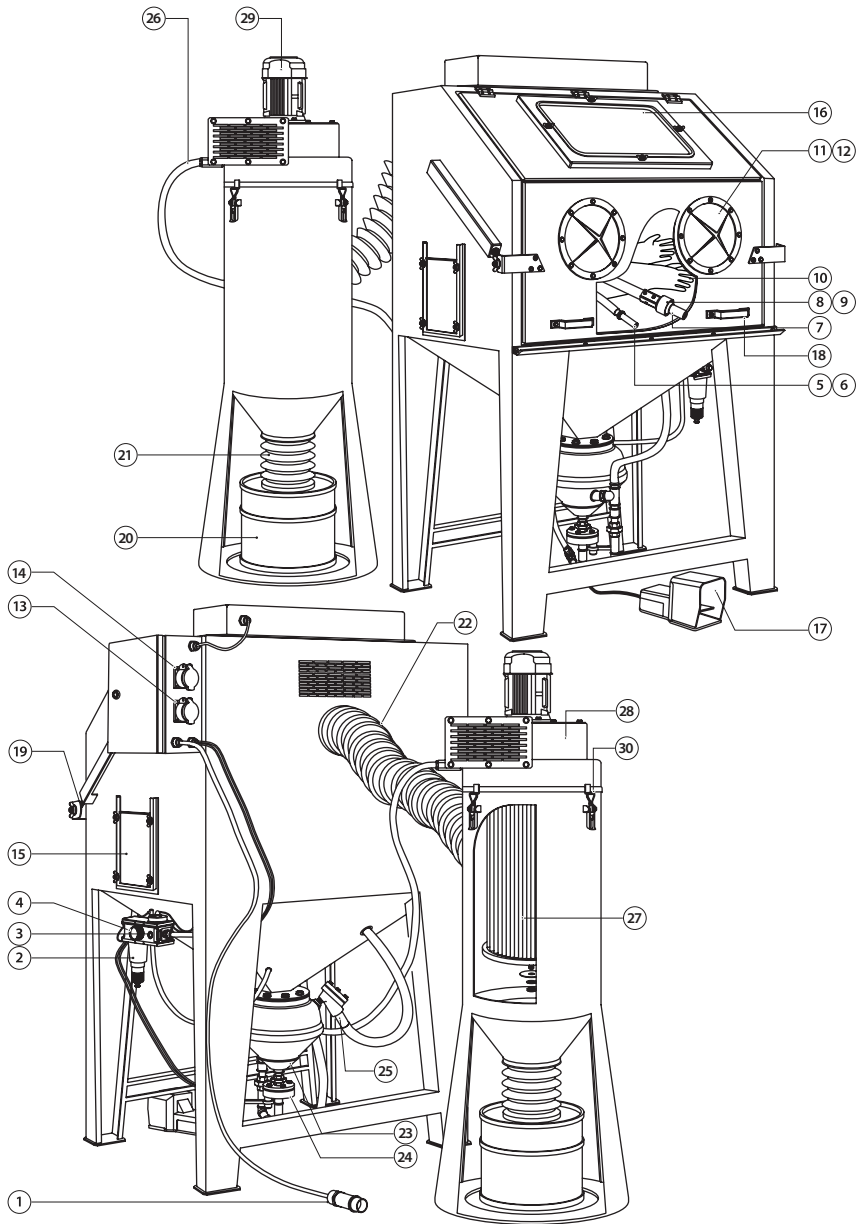


Abb. 2.3. Strahlkabine ECO-80P/100P/120P/140P im Standard-Lieferumfang

Abb. Nr.	Beschreibung
1	Stecker 380V
2	Luftfilter
3	Druckregler, Ferngesteuert
4	Manometer
5	Abblasdüse, Gummi
6	Gummischlauch für Abblasdüse
7	Strahldüse
8	Düsenhalter
9	Strahlschlauch
10	RGS Strahlhandschuhe
11	Handlochgummi
12	Handlochring
13	Steckdose 380V
14	Steckdose 230V
15	Türdurchführung
16	Sichtfenster (Baugruppe)
17	Pneumatischer Fußventil
18	Griff
19	Gasdruckfeder, ECO-100
20	Staubbehälter
21	Schlauch für Staubbehälter
22	Ventilationsschlauch Ø 150mm
23	Strahlkessel, 13 Liter, für ECO-serie
24	FSV-O, Strahlmittelventil 1/2"
25	Ablassventil, ECO-Serie
26	Luftschlauch
27	Patronenfilter für DC-370
28	Lüfterrad für DC-370
29	Elektromotor 0,50 kW für DC-370
30	Patronenstaubfilter Verschluss

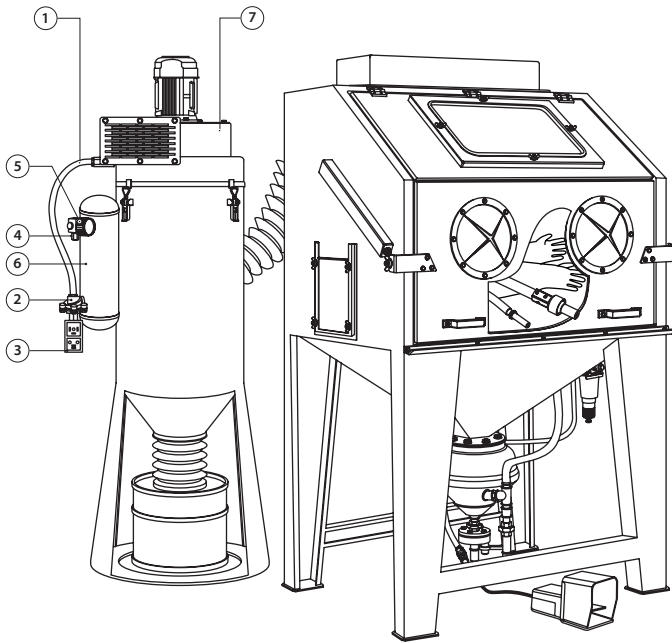


Abb. 2.4. Sonderausführung ECO-80PF/100PF/120PF/140PF

Abb. Nr.	Beschreibung
1	AirFlex-19, Druckluftschläuche 19x28mm
2	Membranventil Impulsabreinigung 3/4"
3	Zeitschalter für Patronenreinigung
4	Druckregler Impulsabreinigung, 1/4"
5	Manometer 1/8", Gummi
6	Druckbehälter für Impulsabreinigung
7	Lüfterrad für DC-370

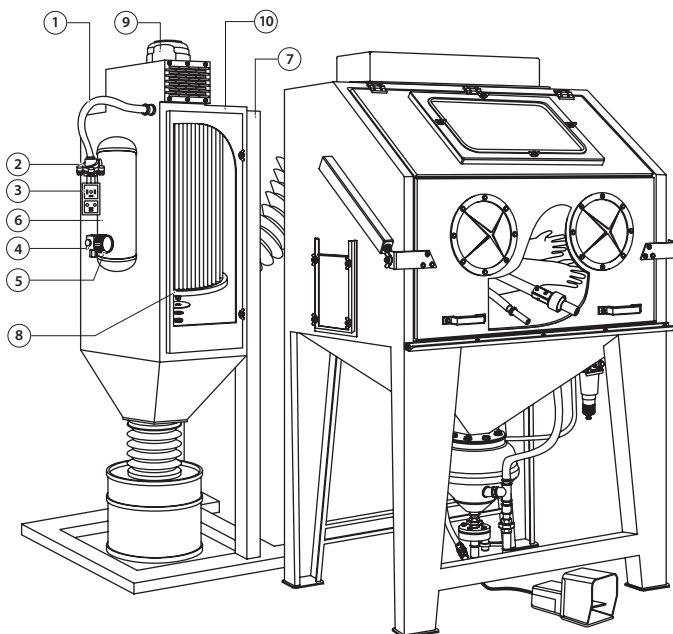


Abb. 2.5. Sonderausführung ECO-80PL/100PL/120PL/140PL

Abb. Nr.	Beschreibung
1	AirFlex-19, Druckluftschläuche 19x28mm
2	Membranventil Impulsabreinigung 3/4"
3	Zeitschalter für Patronenreinigung
4	Druckregler Impulsabreinigung, 1/4"
5	Manometer 1/8", Gummi
6	Druckbehälter für Impulsabreinigung
7	Montagehalterung für DC-550 und DC-750
8	Patronenfilter für DC-550 / für DC-750
9	Elektromotor 0,70 kW für DC-550 / 0,90 kW für DC-750
10	Lüfterrad DC-550 / 750

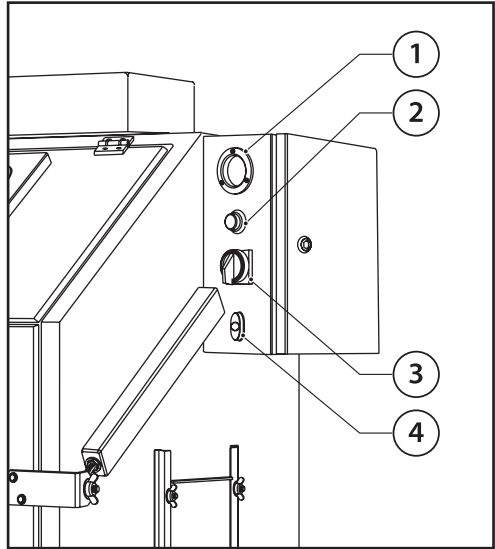


Abb. 2.6. Schalttafel

Abb. Nr.	Beschreibung
1	Einbau-Manometer, Arbeitsdruck
2	Druckregler Arbeitsdruck
3	Nockenschalter 0-I
4	Doppeldrucktaster EIN / AUS

2.1. Lieferumfang

Tabelle. 2.1

Artikelnr.	Modell	Lieferumfang, Beschreibung
10217201	ECO-80P	<p>Strahlkabine, Komplettsystem, bestehend aus:</p> <ul style="list-style-type: none"> - Strahlkabine - Strahlgerät 13 Liter - Patronenstaubfilter DC-370 (siehe Tabelle 2.2) <p>Standardausführung:</p> <ul style="list-style-type: none"> - hochwertige 600 mm Strahlhandschuhe mit Gewebeinnenfutter - 13x27 mm Strahlschlauch mit Schlauchkupplung und Düsenhalter - Wolframkarbid Strahldüse NTC-5.0 - FSV-0 Strahlmittelventil - Druckluftfilter mit 5µ Filterelement - Pilotgesteuerte Druckregelung - Türsicherheitsschalter - Patronenfilter mit manueller - Elektrischer Anschluss 0,50 kW, 380V, 3 Phasen, 50Hz <p>Arbeitskammergröße (L x B x H), mm 750 x 520 x 660 Masse, 139 kg Schallpegel, 80 .. 120 dB (2000/14EC) Betriebslast, 350 kg</p>
10217202	ECO-100P	<p>Strahlkabine, Komplettsystem, bestehend aus:</p> <ul style="list-style-type: none"> - Strahlkabine - Strahlgerät 13 Liter - Patronenstaubfilter DC-370 (siehe Tabelle 2.2) <p>Standardausführung:</p> <ul style="list-style-type: none"> - hochwertige 600 mm Strahlhandschuhe mit Gewebeinnenfutter - 13x27 mm Strahlschlauch mit Schlauchkupplung und Düsenhalter - Wolframkarbid Strahldüse NTC-5.0 - FSV-0 Strahlmittelventil - Druckluftfilter mit 5µ Filterelement - Pilotgesteuerte Druckregelung - Türsicherheitsschalter - Patronenfilter mit manueller - Elektrischer Anschluss 0,50 kW, 380V, 3 Phasen, 50Hz <p>Arbeitskammergröße (L x B x H), mm 950 x 720 x 760 Masse, 246 kg Schallpegel, 80 .. 120 dB (2000/14EC) Betriebslast, 350 kg</p>

Artikelnr.	Modell	Lieferumfang, Beschreibung
10217203	ECO-120P	<p>Strahlkabine, Komplettsystem, bestehend aus:</p> <ul style="list-style-type: none"> - Strahlkabine - Strahlgerät 13 Liter - Patronenstaubfilter DC-370 (siehe Tabelle 2.2) <p>Standardausführung:</p> <ul style="list-style-type: none"> - hochwertige 600 mm Strahlhandschuhe mit Gewebeinnenfutter - 13x27 mm Strahlschlauch mit Schlauchkupplung und Düsenhalter - Wolframkarbid Strahldüse NTC-5.0 - FSV-0 Strahlmittelventil - Druckluftfilter mit 5µ Filterelement - Pilotgesteuerte Druckregelung - Türsicherheitsschalter - Patronenfilter mit manueller - Elektrischer Anschluss 0,50 kW, 380V, 3 Phasen, 50Hz <p>Arbeitskammergröße (L x B x H), mm 1150 x 920 x 860 Masse, 274 kg Schallpegel, 80 .. 120 dB (2000/14EC) Betriebslast, 350 kg</p>
10217204	ECO-140P	<p>Strahlkabine, Komplettsystem, bestehend aus:</p> <ul style="list-style-type: none"> - Strahlkabine - Strahlgerät 13 Liter - Patronenstaubfilter DC-370 (siehe Tabelle 2.2) <p>Standardausführung:</p> <ul style="list-style-type: none"> - hochwertige 600 mm Strahlhandschuhe mit Gewebeinnenfutter - 13x27 mm Strahlschlauch mit Schlauchkupplung und Düsenhalter - Wolframkarbid Strahldüse NTC-5.0 - FSV-0 Strahlmittelventil - Druckluftfilter mit 5µ Filterelement - Pilotgesteuerte Druckregelung - Türsicherheitsschalter - Patronenfilter mit manueller - Elektrischer Anschluss 0,50 kW, 380V, 3 Phasen, 50Hz <p>Arbeitskammergröße (L x B x H), mm 1350 x 1120 x 960 Masse, 309 kg Schallpegel, 80 .. 120 dB (2000/14EC) Betriebslast, 350 kg</p>

Artikelnr.	Modell	Lieferumfang, Beschreibung
10217211	ECO-80PF	<p>Strahlkabine, Komplettsystem, bestehend aus:</p> <ul style="list-style-type: none"> - Strahlkabine - Strahlgerät 13 Liter - Patronenstaubfilter DC-370 (siehe Tabelle 2.2) <p>Standardausführung:</p> <ul style="list-style-type: none"> - hochwertige 600 mm Strahlhandschuhe mit Gewebeinnenfutter - 13x27 mm Strahlschlauch mit Schlauchkupplung und Düsenhalter - Wolframkarbid Strahldüse NTC-5.0 - FSV-0 Strahlmittelventil - Druckluftfilter mit 5µ Filterelement - Pilotgesteuerte Druckregelung - Türsicherheitsschalter - Patronenfilter - Elektrischer Anschluss 0,50 kW, 380V, 3 Phasen, 50Hz <p>Arbeitskammergröße (L x B x H), mm 750 x 520 x 660 Masse, 139 kg Schallpegel, 80 .. 120 dB (2000/14EC) Betriebslast, 350 kg</p>
10217212	ECO-100PF	<p>Strahlkabine, Komplettsystem, bestehend aus:</p> <ul style="list-style-type: none"> - Strahlkabine - Strahlgerät 13 Liter - Patronenstaubfilter DC-370 (siehe Tabelle 2.2) <p>Standardausführung:</p> <ul style="list-style-type: none"> - hochwertige 600 mm Strahlhandschuhe mit Gewebeinnenfutter - 13x27 mm Strahlschlauch mit Schlauchkupplung und Düsenhalter - Wolframkarbid Strahldüse NTC-5.0 - FSV-0 Strahlmittelventil - Druckluftfilter mit 5µ Filterelement - Pilotgesteuerte Druckregelung - Türsicherheitsschalter - Patronenfilter - Elektrischer Anschluss 0,50 kW, 380V, 3 Phasen, 50Hz <p>Arbeitskammergröße (L x B x H), mm 950 x 720 x 760 Masse, 246 kg Schallpegel, 80 .. 120 dB (2000/14EC) Betriebslast, 350 kg</p>

Artikelnr.	Modell	Lieferumfang, Beschreibung
10217213	ECO-120PF	<p>Strahlkabine, Komplettsystem, bestehend aus:</p> <ul style="list-style-type: none"> - Strahlkabine - Strahlgerät 13 Liter - Patronenstaubfilter DC-370 (siehe Tabelle 2.2) <p>Standardausführung:</p> <ul style="list-style-type: none"> - hochwertige 600 mm Strahlhandschuhe mit Gewebeinnenfutter - 13x27 mm Strahlschlauch mit Schlauchkupplung und Düsenhalter - Wolframkarbid Strahldüse NTC-5.0 - FSV-0 Strahlmittelventil - Druckluftfilter mit 5µ Filterelement - Pilotgesteuerte Druckregelung - Türsicherheitsschalter - Patronenfilter - Elektrischer Anschluss 0,50 kW, 380V, 3 Phasen, 50Hz <p>Arbeitskammergröße (L x B x H), mm 1150 x 920 x 860 Masse, 274 kg Schallpegel, 80 .. 120 dB (2000/14EC) Betriebslast, 350 kg</p>
10217214	ECO-140PF	<p>Strahlkabine, Komplettsystem, bestehend aus:</p> <ul style="list-style-type: none"> - Strahlkabine - Strahlgerät 13 Liter - Patronenstaubfilter DC-370 (siehe Tabelle 2.2) <p>Standardausführung:</p> <ul style="list-style-type: none"> - hochwertige 600 mm Strahlhandschuhe mit Gewebeinnenfutter - 13x27 mm Strahlschlauch mit Schlauchkupplung und Düsenhalter - Wolframkarbid Strahldüse NTC-5.0 - FSV-0 Strahlmittelventil - Druckluftfilter mit 5µ Filterelement - Pilotgesteuerte Druckregelung - Türsicherheitsschalter - Patronenfilter - Elektrischer Anschluss 0,50 kW, 380V, 3 Phasen, 50Hz <p>Arbeitskammergröße (L x B x H), mm 1350 x 1120 x 960 Masse, 309 kg Schallpegel, 80 .. 120 dB (2000/14EC) Betriebslast, 350 kg</p>

Artikelnr.	Modell	Lieferumfang, Beschreibung
10217221	ECO-80PL	<p>Strahlkabine, Komplettsystem, bestehend aus:</p> <ul style="list-style-type: none"> - Strahlkabine - Strahlgerät 13 Liter - Patronenstaubfilter DC-550 (siehe Tabelle 2.2) <p>Standardausführung:</p> <ul style="list-style-type: none"> - hochwertige 600 mm Strahlhandschuhe mit Gewebeinnenfutter - 13x27 mm Strahlschlauch mit Schlauchkupplung und Düsenhalter - Wolframkarbid Strahldüse NTC-5.0 - FSV-0 Strahlmittelventil - Druckluftfilter mit 5µ Filterelement - Pilotgesteuerte Druckregelung - TÜRSicherheitsschalter - Patronenfilter - Elektrischer Anschluss 0,70 kW, 380V, 3 Phasen, 50Hz <p>Arbeitskammergröße (L x B x H), mm 750 x 520 x 660 Masse, 139 kg Schallpegel, 80 .. 120 dB (2000/14EC) Betriebslast, 350 kg</p>
10217222	ECO-100PL	<p>Strahlkabine, Komplettsystem, bestehend aus:</p> <ul style="list-style-type: none"> - Strahlkabine - Strahlgerät 13 Liter - Patronenstaubfilter DC-550 (siehe Tabelle 2.2) <p>Standardausführung:</p> <ul style="list-style-type: none"> - hochwertige 600 mm Strahlhandschuhe mit Gewebeinnenfutter - 13x27 mm Strahlschlauch mit Schlauchkupplung und Düsenhalter - Wolframkarbid Strahldüse NTC-5.0 - FSV-0 Strahlmittelventil - Druckluftfilter mit 5µ Filterelement - Pilotgesteuerte Druckregelung - TÜRSicherheitsschalter - Patronenfilter - Elektrischer Anschluss 0,70 kW, 380V, 3 Phasen, 50Hz <p>Arbeitskammergröße (L x B x H), mm 950 x 720 x 760 Masse, 246 kg Schallpegel, 80 .. 120 dB (2000/14EC) Betriebslast, 350 kg</p>

Artikelnr.	Modell	Lieferumfang, Beschreibung
10217223	ECO-120PL	<p>Strahlkabine, Komplettsystem, bestehend aus:</p> <ul style="list-style-type: none"> - Strahlkabine - Strahlgerät 13 Liter - Patronenstaubfilter DC-750 (siehe Tabelle 2.2) <p>Standardausführung:</p> <ul style="list-style-type: none"> - hochwertige 600 mm Strahlhandschuhe mit Gewebeinnenfutter - 13x27 mm Strahlschlauch mit Schlauchkupplung und Düsenhalter - Wolframkarbid Strahldüse NTC-5.0 - FSV-0 Strahlmittelventil - Druckluftfilter mit 5µ Filterelement - Pilotgesteuerte Druckregelung - Türsicherheitsschalter - Patronenfilter - Elektrischer Anschluss 0,90 kW, 380V, 3 Phasen, 50Hz <p>Arbeitskammergröße (L x B x H), mm 1150 x 920 x 860 Masse, 274 kg Schallpegel, 80 .. 120 dB (2000/14EC) Betriebslast, 350 kg</p>
10217224	ECO-140PL	<p>Strahlkabine, Komplettsystem, bestehend aus:</p> <ul style="list-style-type: none"> - Strahlkabine - Strahlgerät 13 Liter - Patronenstaubfilter DC-750 (siehe Tabelle 2.2) <p>Standardausführung:</p> <ul style="list-style-type: none"> - hochwertige 600 mm Strahlhandschuhe mit Gewebeinnenfutter - 13x27 mm Strahlschlauch mit Schlauchkupplung und Düsenhalter - Wolframkarbid Strahldüse NTC-5.0 - FSV-0 Strahlmittelventil - Druckluftfilter mit 5µ Filterelement - Pilotgesteuerte Druckregelung - Türsicherheitsschalter - Patronenfilter - Elektrischer Anschluss 0,90 kW, 380V, 3 Phasen, 50Hz <p>Arbeitskammergröße (L x B x H), mm 1350 x 1120 x 960 Masse, 309 kg Schallpegel, 80 .. 120 dB (2000/14EC) Betriebslast, 350 kg</p>

Tabelle. 2.2

	Filtermaterial	Filteroberfläche, m ²	Lüfter Leistungsaufnahme, kW	Lüfter Volumenstrom, m ³ /h	Lüfter Gegendruck, Pa
DC-370	Polyester	2,7	0,37	800	1075
DC-550	Polyester	7,5	0,55	870	1310
DC-750	Polyester	11,0	0,75	900	1470

3. Allgemeine Informationen

3.1. Allgemeine Informationen

Die Contracor Strahlkabine bietet einen geschlossenen Strahlarbeitsbereich, der eine effiziente Strahlreinigung ermöglicht während der umliegende Arbeitsbereich sauber bleibt.

Die Arbeitsleistung der Strahlkabinen hängt von der Düsengröße, der Kompressorleistung, dem Arbeitsdruck, Art und Größe des Strahlmittels und dem Abstand von der Düse zur Oberfläche des zu reinigenden Werkstücks ab.

Die Contracor Druck-Strahlkabine der ECO-Baureihe besteht aus drei Modulen:

1. Stabil gebaute, geschweißte Stahlarbeitskammer
2. 13 Liter Strahlgerät mit FSV-0 Strahlmitteldosierventil ausgestattet.
3. Staubabscheider mit Hochleistungsgebläse und manuell gereinigter Filterpatrone. Einen automatischen impulsgereinigten Staubfilter wird als Sonderausstattung angeboten.

3.2. Funktionsprinzip

Wenn die Luftversorgung an und die Tür geschlossen ist, kann die Maschine durch Betätigen des Fußschalters gestartet werden. Durch das Treten des Fußpedals wird der Druck in dem Strahlgerät erhöht und der Strahlvorgang beginnt.

Nach dem Auftreffen auf das Werkstück fällt das Strahlmittel, zusammen mit Staub, zerbrochenem Strahlmittel und beim Strahlen anfallenden Teilchen durch den Rost in den Auffangtrichter der Kabine. Das Strahlgerät befindet an einem universellen Flansch im Boden des Kabinentrichters. Die Druckstrahlkabine lässt sich schnell und preiseffektiv in eine Injektorstrahlkabine umrüsten.

Beim Loslassen des Fußpedals wird der Druck im Kammer abgebaut und der Strahlvorgang gestoppt. Die Filterpatrone des Staubabscheiders wird durch stoßartiges Öffnen und Schließen eines Kugelhahns gereinigt. Hierbei wird Druckluft mit hoher Geschwindigkeit auf die Innenseite der Filterpatrone entspannt. Das kurzzeitige

Umkehren der Luftströmungsrichtung löst die Staubschicht auf der Aussenseite der Filterpatrone. Die Staubpartikel fallen in den Sammeltrichter, und können so entfernt werden. Zusätzlich wird eine automatische Reinigung der Filterpatrone angeboten. Ein elektronischer Timer steuert ein Ventil das Druckluft auf die Innenseite der Filterpatrone entspannt. Das weitere Funktionsprinzip der automatischen Reinigung ist mit der manuellen Filterpatronenreinigung identisch.

3.3. Strahlmaschine - und Düsenvarianten

Die Strahlmaschine wird gemäß dem Europäischen CE-Norm hergestellt, wie dem CE-Zertifikat zu entnehmen ist. Der Besitzer muss für die Funktionstüchtigkeit und Vollständigkeit selber haften, je nach rechtlicher Lage in den betroffenen Ländern.

Nachdem festgestellt wurde, dass die Druckluftversorgung eingeschaltet und die Strahlkabinentür geschlossen ist, kann der Strahlvorgang beginnen, in dem auf das Fußpedal gedrückt wird. Hiermit wird das Einlassventil, das im Regelfall geschlossen ist, geöffnet, und das Auslassventil, das im Normalzustand geöffnet ist, geschlossen. Somit wird der Druck in der Kammer aufgebaut, und der Strahlvorgang beginnt. Wird das Fußpedal losgelassen, so wird der Druck abgebaut, und der Strahlvorgang wird abgebrochen.

Die gelieferte Strahldüse ist eine Wolframkarbiddüse mit 5.0 mm Öffnung. Zusätzlich werden 6,5 mm und 8,0 mm Düsen angeboten.

3.4. Strahlmittel

Contracor Kabinen können mit den meisten gängigen Strahlmitteln verwendet werden, 180er Siebungen/Körnung oder gröber, die speziell zum Trockenstrahlen hergestellt werden.

Die Angabe der zu verwendenden Korngrößen und Düsendüsen beruht auf einem normalen Strahlmittelfluss. Zäher Strahlmittelfluss oder geringer Unterdruck erlauben eventuell nur die Verwendung von kleineren Durchmessern.

Stahlstrahlmittel: Stahlguss oder Kugeln können in den Strahlkabinen ECO-80P ... ECO-140P mit Einschränkungen verwendet werden. Gummiverkleidungen sollten benutzt werden, um die Kabineninnenwände vor schnellerer Abnutzung zu schützen. Die Strahlkabinen ECO-80P ... ECO-140P können mit diesen Auskleidungen bestellt werden.

Diese Sonderausstattung muss bei der Bestellung angegeben werden..

Sand und Schlacke: Sand sollte niemals verwendet werden aufgrund der Gesundheitsgefahr die von silikogenen Strahlmitteln ausgeht.



ACHTUNG!

Strahlen mit Quarzsand der Siliziumdioxid enthält kann schwere oder tödliche Atemwegserkrankungen hervorrufen

Schlacke ist nicht empfehlenswert, da sie schnell zerschlägt.

Korund, Siliciumcarbid, Granatsand: Aggressive Strahlmittel wie diese können verwendet werden, allerdings sollte man bedenken, dass sie zu schnellerer Abnutzung der Kabinenteile, der Rückgewinnung, der Düsen und der Schläuche, die mit ihnen in Kontakt kommen, führen.

Glaskugeln: Die meisten Glaskugeln werden behandelt, um auch unter etwas feuchteren Bedingungen einen guten Strahlmittelfluss sicherzustellen. Glaskugeln, die zu hoher Feuchtigkeit ausgesetzt waren, können nach gründlicher Trocknung und dem Aufbrechen von Verklumpungen wieder verwendet werden.

3.5. Qualität der Druckluft

Der Flüssigkeitsabscheider am Lufteinlass vermindert das Eindringen von Wasser mit der Druckluft. Die Verwendung ist besonders wichtig in Bereichen mit hoher Luftfeuchtigkeit oder bei Verwendung von feinem Strahlmittel. Feuchtigkeit führt zum Verklumpen von Strahlmittel und behindert den freien Fluss in der Zuführung. Bei anhaltenden Feuchtigkeitsproblemen könnte ein Drucklufttrockner nötig sein.

3.6. Druckluftbedarf

Die erforderliche Kapazität der Druckluftversorgung ist von dem Düsendurchmesser und dem Betriebsdruck abhängig.

Die obige Tabelle zeigt die erforderliche Kapazität nur für die Strahldüse. Zusätzlich wird Luft für die Reinigung des Patronenfilters benötigt, die den obigen Menge zugerechnet werden muss.

Der angegebene Luftverbrauch gilt nur für neue Düsen. Mit steigendem Verschleiß steigt auch der Luftverbrauch der Düse, bis zu einem Maximum von 70% bis 80% mehr als im Neuzustand.

Tabelle. 3.2 Luftverbrauch

Ø Strahldüse (mm)	DRUCKLUFTBEDARF (m ³ /min.) bei Arbeitsdruck, bar			
	3	4	5	6
5,0	0,7	0,8	0,9	1,0
6,5	1,3	1,5	1,7	1,9
8,0	2,0	2,5	2,0	3,3

4. Aufbau, Betrieb und Beenden der Arbeit

4.1. Installation and Set-up

4.1.1 Aufstellungsort

Wählen Sie einen Aufstellungsort, an dem Druckluft, Wasser und ein Stromanschluss verfügbar sind. Achten Sie darauf, dass alle Türen und Servicebereiche frei zugänglich sind und genügend Platz vorhanden ist, um mit großen Teilen zu arbeiten.

4.1.2 Druckluftversorgung

Verbinden Sie die Druckluftzuleitung mit einem Innendurchmesser von mindestens 1/2“ mit dem Kabinenanschluss. Verwenden Sie für die Verbindung einen flexiblen Schlauch mit dem gleichen Innendurchmesser wie die Hauptluftleitung. Ein kleinerer Schlauch- oder Leitungsdurchmesser kann zu geringerer Strahlleistung führen.



ACHTUNG!

Stellen Sie sicher, dass alle Leitungsverbinder und Schlauchschellen fest sind, bevor Sie die Strahlkabine in Betrieb nehmen. Ein sich unter Druck lösender Schlauch kann schwere Verletzungen hervorrufen.

4.1.3 Erdung

Erden Sie die Kabine, um statische Aufladung zu vermeiden. Zur Erdung bringen Sie ein geerdetes Kabel am Erdungsanschluss an der Kabinenverkleidung an.

4.1.4 Elektrischer Anschluss



ACHTUNG!

Alle elektrischen Arbeiten müssen von einem qualifizierten Elektriker entsprechend den nationalen und regionalen Vorschriften ausgeführt werden.

Ein elektrischer Schaltplan wird mitgeliefert. Nach der Fertigstellung der Verdrahtung überprüfen Sie die Motorlaufrichtung. Schalten Sie dazu kurz ein und gleich wieder aus.

Der Motor wird sich langsam drehen. Überprüfen Sie die Laufrichtung des Lüfterrades durch die Schlitze im Motorgehäuse. Der Lüfter sollte sich im Uhrzeigersinn drehen, wenn man vom Lüfter in Richtung Motor schaut.



ACHTUNG!

Schauen Sie nicht in den Auslass der Rückgewinnung während sich die Absaugung dreht. Herausgeschleuderte Objekte könnten Augen- oder Gesichtsverletzungen verursachen.

4.1.5 Kabinendruck

Der Kabinenunterdruck wird mittels einer Strömungsklappe am Schlauch zur Ventilator-/Filtereinheit eingestellt. Der Ventilator saugt die staubige Luft aus der Strahlkabine heraus, und diese wird schließlich durch den Filter gereinigt. Der Staub fällt schließlich in einen Auffangbehälter. Probieren Sie verschiedene Stellungen der Strahlklappe beim Strahlen aus. Der Kabinenunterdruck ist richtig eingestellt wenn der Staub Luft wirkungsvoll aus der Kabine herausgesaugt wird, so dass der Bediener gute Sicht hat.

4.1.6 Fußpedal

Positionieren Sie das Fußpedal für leichte Erreichbarkeit auf dem Boden vor der Strahlkabine. Die Strahlkabine ist für einen Bediener vorgesehen. Stellen Sie sicher, dass Sie im Notfall schnell den Fuß vom Pedal nehmen können.

4.2. Strahlvorgang

4.2.1 Befüllen mit Strahlmittel

Füllen Sie bei ausgeschalteter Absaugung trockenes, sauberes Strahlmittel in den Kabinenauffangtrichter ein. Überladen sie die Kabine nicht!

Die Mindestmenge an Strahlmittel, um das System zu beladen, beträgt:

- ECO-80P/100P/120P/140P- 20kg
- ECO-80PF/100PF/120PF/140PF- 20kg
- ECO-80PL/100PL/120PL/140PL- 20kg

4.2.2 Entnahme des Strahlmittels

Um Strahlmittel aus der Strahlkabine zu entfernen muss der Druck in der Kabine zuerst auf 3 bar reduziert werden. Stellen Sie ein leeres Behälter auf das Gitter der Kabine. Entfernen Sie die Düse und den Dichtungsring vom Düsenhalter, schließen Sie die Tür und das Kugelhahn-Ventil an der Luftzufuhr der Maschine und Drücken Sie auf das Fußpedal. Leiten Sie das Strahlmittel in den Behälter, bis dieser voll ist. Wiederholen Sie diesen Vorgang bis das Strahlmittel vollständig aus der Maschine entfernt wurde. Beachten Sie beim Verladen der Behälters auf Sicherheitshinweise, und achten Sie darauf, nicht zu schwere Lasten zu tragen. Wenn das Strahlmittel vollständig aus der Maschine geleert ist, öffnen Sie das Kugelhahn-Ventil vollständig. Überprüfen und reinigen Sie die Gewindegänge des Düsenhalters und der Düse bevor Dichtungsring und Düse wieder einbauen.

4.2.3 Be- und Entladung von Werkstücken

Werkstücke können durch die Fronttür eingelegt bzw. herausgenommen werden. Die Tür öffnet so, dass eine Be- und Entladung von oben durch einen Kran möglich ist. Die zu bearbeitenden Teile müssen frei von Öl, Wasser, Fett oder anderen verunreinigenden Stoffen sein, die Strahlmittel verklumpen oder Filter verstopfen. Wenn Sie die Tür schließen,

stellen Sie sicher, dass sie fest zu ist, andernfalls wird die Türsicherung den Strahlvorgang unterbinden.

4.2.4 Strahlvorgang



ACHTUNG!

Schließen Sie immer die Kabinen- und Staubabscheidertüren vor dem Strahlvorgang. Halten Sie während des Strahlens alle Türen geschlossen.

Tragen Sie immer Strahlhandschuhe.

Richten Sie die Strahldüse nicht auf das Sichtfenster.

Reinigen Sie das Werkstück mit der Abblasdüse bevor Sie die Türen öffnen.

Lassen Sie nach dem Strahlen die Türen geschlossen und die Absaugung an, bis die Luft in der Kabine frei von Staub ist.

Stoppen Sie den Strahlvorgang sofort, wenn Sie ein Austreten von Staub bemerken.

Verwenden Sie immer Handschutz in der Form von Strahlhandschuhe bei der Arbeit mit Stahlwerkzeugen. Öffnen Sie die Druckluftzufuhr zur Strahlkabine. Überprüfen Sie sie bei der ersten Inbetriebnahme auf Undichtigkeiten. Drehen Sie den An/Ausschalter in die "I" Position, um die Beleuchtung und die Impulsreinigung des Filters (optional) anzuschalten. Drücken Sie den Knopf ON, um die Absaugung zu starten. Führen Sie Ihre Hände durch die in der Fronttür vorhandenen Löcher. Halten Sie die Strahldüse gut fest und treten Sie auf das Fußpedal. Der Strahlvorgang wird sofort ausgelöst. Stellen Sie den Strahl Druck am Strahl Druckregler, der sich am Bedienfeld befindet, ein. Das Manometer am Bedienfeld zeigt den tatsächlichen Strahl Druck an. Die effektivste Strahltechnik ist, sanfte, gleichmäßige Bewegungen durchzuführen. Der Abstand zum Werkstück beeinflusst die Größe des Strahlbilds. Normalerweise beträgt der Abstand von der Düse zur Oberfläche des Werkstücks etwa 70 bis 150mm.



ACHTUNG!

Schalten Sie die Kabine unverzüglich ab, wenn Staub aus dem Staubabscheider austritt. Überprüfen Sie den Filter auf korrekten Sitz, Abnutzung und Beschädigung. Längeres Einatmen von Staub kann zu schweren Lungenkrankheiten oder Tod führen. Kurzzeitige Aufnahme von giftigem Staub, z.B. Blei, stellt eine unmittelbare Gesundheitsgefahr dar. Giftigkeit und Gesundheitsrisiko hängen von der Art des Staubes ab, der beim Strahlen entsteht. Identifizieren Sie alle Materialien, die beim Strahlen entfernt werden und besorgen Sie sich Sicherheitsdatenblätter für die Strahlmittel.

Während des Betriebes der Strahlkabine muss der Staubabscheider regelmäßig gereinigt werden. Dies geschieht durch ein kurzes Öffnen des Kugelventiles am Staubabscheider. Hierdurch wird Druckluft mit hoher Geschwindigkeit auf die Innenfläche der Filterpatrone entspannt, und die Staubschicht an der Aussenseite der Patrone löst sich. Eine leistungsfähige Luftreinigung kann so gewährleistet werden.

Ist die Strahlkabine mit einem automatischen impultgereinigten Staubabscheider ausgestattet, so wird entsprechend den Timereinstellungen automatisch einen Druckluftimpuls auf die Innenfläche der Filterpatrone gegeben. Längere Strahlarbeiten oder Einsatzbedingungen erfordern möglicherweise Anpassungen der Timereinstellungen.

4.2.5 Beenden des Strahlvorgangs und Abschalten der Kabine

Um den Strahlvorgang zu beenden, nehmen Sie den Fuß vom Pedal. Verwenden Sie die Reinigungsdüse, um Strahlmittel vom bearbeiteten Teil zu blasen. Warten Sie, bis die Absaugung die Kabinenluft von Staub gereinigt hat, bevor Sie die Tür öffnen und Teile entladen. Drücken Sie den Knopf OFF um die Absaugung abzuschalten. Drehen Sie den An/Ausschalter in die "0" Position, um das Licht und die Impulsreinigung des Filters abzuschalten (falls zutreffend). Schließen Sie die Luftzufuhr zur Kabine und entleeren Sie den Luftfilter.

4.3. Einstellungen

4.3.1 Strahldruck

Der Strahldruckregler am Bedienfeld der Kabine ermöglicht es dem Bediener, den Strahldruck der jeweiligen Anwendung anzupassen. Ein Druck von ungefähr 5-6 bar ist für die meisten Anwendungen geeignet.

Ein geringerer Druck kann bei empfindlicheren Untergründen nötig sein, und er reduziert die Zerschlagung des Strahlmittels. Ein höherer Druck kann bei schwierigeren Strahlarbeiten mit widerstandfähigeren Untergründen erforderlich sein, aber er führt zu schnelleren Zerschlagung des Strahlmittels.

In jedem Fall kann die höchste Produktivität nur erreicht werden, wenn man den Strahldruck aufmerksam überwacht. Stellen Sie den Strahldruck durch Drehen des Knopfes am Strahldruckregler ein, der sich am Bedienfeld befindet. Ziehen Sie den Knopf heraus und drehen Sie ihn im Uhrzeigersinn, um den Druck zu erhöhen, oder gegen den Uhrzeigersinn, um den Druck zu vermindern. Nach dem Einstellen des Druckes, drücken Sie den Knopf wieder hinein, um zu ihn verriegeln.

4.3.2 Strahlmitteldosierung

Der Strahlmitteldurchfluss wird durch das Durchflussdosierventil am Fuß der Strahlmaschine eingestellt. Das Dosierventil setzt sich zusammen aus einem Ventilkörper, Strahlmittelein- und Ausgänge, sowie aus einem Griff, der mit der Dosierscheibe verbunden ist. Der Strahlmitteldurchfluss wird durch die Überdeckung des Dosierloches mit dem Eingang eingestellt. In der mittleren Position des Ventils, so steht die Öffnung der Dosierscheibe zentrisch über dem Strahlmitteleingang. In diesem Fall ist der Durchfluss maximal. Wird der Griff nach links oder rechts gedreht, so verringert sich die Überdeckung der Öffnung mit Strahlmitteleingang. Der Querschnitt und der Durchfluss wird geringer. Das Ventil ist geschlossen wenn der Griff in der äußeren linken oder rechten Position ist.

Der Durchfluss soll je nach Strahlmitteltyp und -größe, Betriebsdruck und der bevorstehenden Aufgabe eingestellt werden. Achten Sie darauf, so wenig Strahlmittel wie nötig zu benutzen um eine schnelle Bearbeitung zu gewährleisten. Greifen Sie hierzu auch auf eigene Erfahrungen zurück. Eine richtige Mischung kann man durch eine leichte Verfärbung am Austritt aus der Strahldüse erkennen.

4.3.3 Kabinenunterdruck

Nachdem der Einlass anfangs wie in Abschnitt 4.1.5 eingestellt wurde, muss er nur selten nachgeregelt werden. Diese Grundeinstellung erzeugt einen Unterdruck von etwa 50% bis 75% in der Arbeitskammer der Kabine. Zum Verstellen des Kabinenunterdrucks öffnen Sie die Strömungsklappe an der Filter/Ventilatoreinheit weiter, um den Unterdruck zu vermindern, oder schließen Sie ihn, um den Unterdruck zu erhöhen.

4.3.4 Türsicherung

Die Türsicherung unterbricht den Strahlregelkreislauf, wenn die Tür geöffnet ist. Die Türsicherung befindet sich am rechten Türgasdruckfeder. Um den Strahlvorgang zu ermöglichen, müssen die Türschalter einschaltet sein, wenn die Tür geschlossen ist. Die Türsicherungen werden im Werk eingestellt und benötigen normalerweise keine Einstellung vor Ort, außer bei Ersatz und Wartung von Komponenten der Strahlkabine.



ACHTUNG!

Versuchen Sie nie, die Türsicherung zu umgehen. Dies könnte zu Verletzungen durch unerwartetes Strahlen führen.

Um den Auslöser einzustellen, biegen Sie ihn von Hand so, dass er bei vollständig geschlossener Tür den Schalter betätigt.

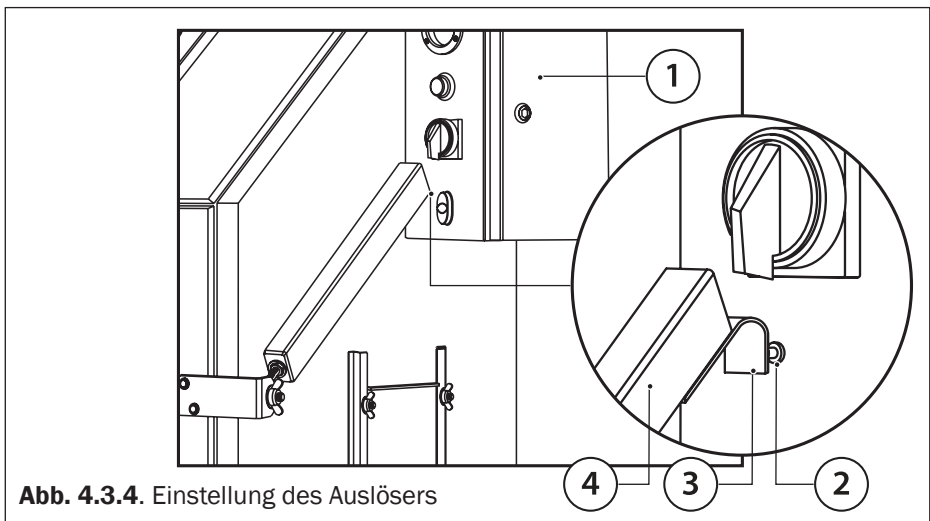


Abb. 4.3.4. Einstellung des Auslösers

Überprüfen Sie die Funktion sowohl mit offenen als auch mit geschlossener Tür. Richten Sie die Düse nicht auf die Tür und öffnen Sie die Tür nur soweit, dass der Schalter nicht schließt. Die Türschalter sollten den Strahlvorgang unterbinden, wenn die Türen geöffnet werden und das Strahlen nur bei geschlossenen Türen zulassen.

4.3.5 Impulsdruck (Sonderausstattung – falls vorhanden)

Stellen Sie der Impulsdruck am Regler, der am Einlass angebracht ist, ein. Der Standardimpulsdruck beträgt 4,5 bar. Wenn diese Impulse die Patrone nicht ausreichend reinigen, erhöhen Sie den Druck in 0,5 bar Schritten bis höchstens 6,0 bar. Eine höhere Impulsstärke könnte die Filterpatrone beschädigen. Wenn sich nach der Erhöhung des Drucks Staub an der Patrone weiter anlagert, verändern Sie die Impulsabstände.

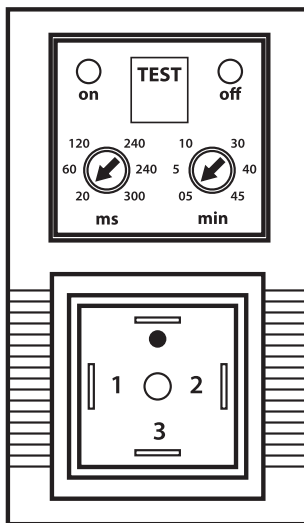
4.3.6 Timer (Sonderausstattung – falls vorhanden)

Stellen Sie die Impulslänge und Häufigkeit am Timer ein (Position siehe Zeichnung 6). Verwenden Sie die ON Skala zum Einstellen der Impulslänge und die OFF Skala zur Einstellung der Zeit zwischen den Impulsen. Grundeinstellung:

Impulslänge (ON Skala) - 60 ms (bei 4.5 bar Impulsstärke)

Zeitraum zwischen den Impulsen (OFF Skala) 5 min

Abb. 4.3.6. Einstellung der Impulsdauer und der Impulsintervall



5. Wartung

5.1. Laufende Wartung

5.1.1 FSV-0 Strahlmitteldosierventil

Überprüfen Sie regelmäßig das Strahlmitteldosierventil auf Verschleiß. Um eine lange Lebensdauer zu ermöglichen, überprüfen Sie regelmäßig die innere Gummidichtung und die Dosierscheibe auf Verschleiß, und ersetzen Sie diese wenn erforderlich.

5.1.2 Staubbehälter

Leeren Sie den Staubbehälter regelmäßig. Überprüfen Sie den Behälter mindestens einmal am Tag oder wenn Sie Strahlmittel nachfüllen. Passen Sie dann die Häufigkeit der Überprüfung der Nutzung der Kabine und der Verunreinigung und Bröckeligkeit des Strahlmittels an.

5.1.3 Luftfilter

Die Kabine ist mit einem manuell entleerbaren Luftfilter ausgerüstet. Entleeren Sie den Filter mindestens einmal täglich oder häufiger, falls notwendig, oder wenn Sie bemerken, dass feiner Nebel aus der Düse austritt. Feuchte Luft behindert den Strahlmittelfluss. Falls weiterhin Feuchtigkeit auftritt, kann es notwendig sein, einen Lufttrockner vorzuschalten.

5.1.3 Strahlmittelschlauch und Kupplungen

Überprüfen Sie den Strahlmittelschlauch auf dünne Stellen entlang des Außenradius, die auf einen erhöhten Verschleiß deuten, um Durchschlagslöcher und daraus resultierende Arbeitsunterbrechungen zu vermeiden. Überprüfen Sie auch die Schlauchverbindungen und Verbindungskrümmen auf Leckagen und Verschleiß.

5.2. Wartung

5.2.1 Handschuhe

Für eine komfortable Bedienung ist die Kabine mit speziellen, statikableitenden Handschuhen ausgestattet. Da die Handschuhe abnutzen, ist es notwendig, sie regelmäßig zu ersetzen. Ein erstes Zeichen von Abnutzung können häufige statische Stromschläge sein.

5.2.2 Strahldüse

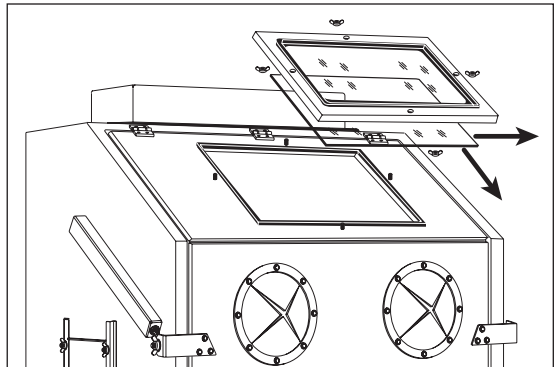
Ersetzen Sie die Düse wenn sich der Durchmesser um max. 2mm vergrößert hat, oder eher, falls der Druck merkbar nachlässt.

Die Düsenhalterdichtung auf Verschleiß prüfen und wenn nötig austauschen..

5.2.3 Ersetzen der Verschleißglasscheibe

Die Verschleißglasscheibe wird durch die Mulde im der Tür der Strahlkabine fixiert, und durch den Rahmen des Sichtfensters an die Tür der Strahlkabine gepresst. Um die Verschleißglasscheibe zu ersetzen, lockern Sie die vier Schrauben, die den Rahmen des Sichtfensters befestigen, und entfernen Sie diesen. Nehmen Sie die Verschleißglasscheibe heraus, und setzen Sie den Ersatzteil herein. Überprüfen Sie die Dichtungen des Sichtfensters auf Beschädigungen. Sollte eine Dichtung beschädigt sein, ersetzen sie diese nach Kapitel 5.2.5.

Abb. 5.2.3. Ersetzen der Verschleißglasscheibe



5.2.4 Ersetzen der Scheibe des Sichtfensters



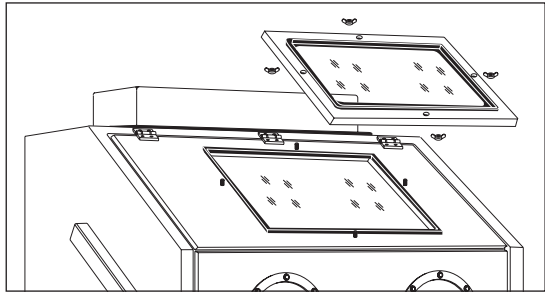
ACHTUNG!

Verwenden Sie keine normalen Glasscheiben als Ersatz für das Sichtfenster, es könnte beim Aufprallen von Teilen bersten und schwere Verletzungen verursachen.

Verwenden Sie nur original vom Hersteller zugelassenes, beschichtetes Sicherheitsglas

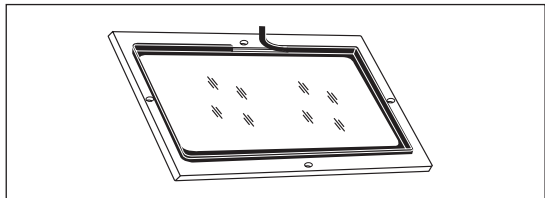
Der Rahmen des Sichtfensters wird mittels vierer Schrauben befestigt. Um die Scheibe zu ersetzen, lockern Sie diese vier Schrauben, und entfernen Sie den Fensterrahmen samt Sichtfenster aus Schutzglas. Nehmen Sie die Scheibe heraus. Überprüfen Sie die Dichtung auf Beschädigungen, und falls zutreffend, ersetzen Sie die Dichtungen nach Kapitel 5.2.5.

Abb. 5.2.4.1. Entfernen der Fensterrahmen



Entfernen Sie das alte Fenster durch Herausziehen des Fensterprofilgummis.

Abb. 5.2.4.2. Ersetzen der Scheibe des Sichtfensters



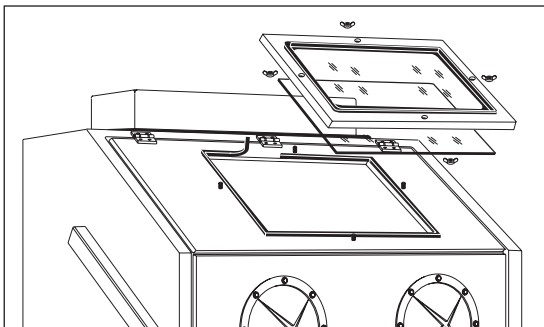
Setzen Sie das Fensterprofil in die Fensteröffnung ein, indem Sie den engen Schlitz über die Metallkante der Öffnung stülpen. Die Profildenden sollten in der Mitte einer geraden Seite aufeinander treffen. Die Enden sollten aufeinander drücken, damit sie dicht abschließen. Installieren Sie nun von vorne das Sichtfenster in der breiten Nut des Profils.

5.2.5 Ersetzen der Fensterdichtungen

Ersetzen Sie die Dichtungen im Fensterrahmen und am Kabinenfenster beim ersten

Anzeichen, dass Stoffe am Fenster austreten, oder wenn die Dichtungen beschädigt zu sein scheinen. Überprüfen Sie die Dichtungen, wenn Sie die Scheibe des Sichtfensters oder die Verschleißscheibe wechseln. Nehmen Sie das Fenster und den Fensterrahmen wie in Abschnitt 5.2.4 ab. Entfernen Sie das alte Dichtungsmaterial komplett und reinigen Sie die Oberflächen an der Kabine und am Fensterrahmen.

Abb. 5.2.5. Ersetzen der Fensterdichtungen



Ziehen Sie etwas von der Schutzfolie vom 15 mm-Dichtstreifen ab und kleben Sie das Ende der Dichtung in der Mitte der Fensteroberkante an, wie in Abbildung 10 dargestellt. Ziehen Sie dann schrittweise die Schutzfolie weiter ab und drücken Sie die Dichtung für gute Klebewirkung fest an. Arbeiten Sie sich am Radius der Ecken entlang und schneiden Sie die Dichtung so ab, dass die Enden mit etwas Druck aufeinander stoßen und dicht abschließen.

5.2.6 Filterpatronenwechsel



ACHTUNG!

Tragen Sie bei Wartungsarbeiten an staubbelasteten Bereichen der Kabine oder des Staubabscheiders und beim Leeren des Staubbehälters immer geeigneten und zugelassenen Atemschutz und Augenschutz, andernfalls kann es zu schweren Augenreizungen und schweren bis tödlichen Lungenerkrankungen kommen.

Die Giftigkeit und das Gesundheitsrisiko hängen vom Strahlmittel und dem beim Strahlen entstehenden Staub ab.

Der Atemschutz muss für den entstehenden Staub zugelassen sein.

Identifizieren Sie alle beim Strahlen freiwerdenden Materialien und besorgen Sie sich Sicherheitsdatenblätter für das Strahlmittel.

Lösen Sie die drei Haken-und-Ösen-Verschlüsse, und heben Sie den Deckel des Staubabscheiders samt Ventilatoreinheit. Um die Filterpatrone zu entnehmen, heben Sie sie senkrecht aus dem Gehäuse. Entfernen Sie die Haltemutter, Unterlegscheibe und Dichtung der Filterpatrone. Reinigen Sie alle Teile, die wieder verwendet werden, besonders im Dichtungsbereich. Kratzen Sie eventuelle Reste von Dichtungsmaterial im Dichtungsbereich an der Ventilatoreinheit ab.

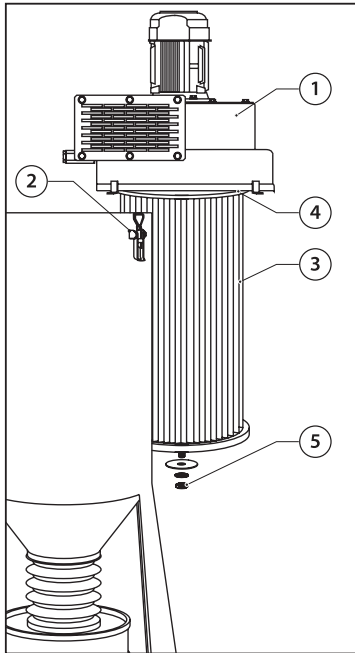


Abb. 5.2.6. Filterpatronenwechsel

Installieren Sie die neue Filterpatrone und Dichtung. Ziehen Sie die Haltemutter so fest an, bis die Patrone sich nicht mehr von Hand bewegen lässt. Ziehen Sie die Mutter dann noch eine ganze Umdrehung weiter an. Überprüfen Sie die Dichtung zwischen Ventilator- und Filtergehäuse auf ihren Zustand und ersetzen Sie sie, falls keine vollständige Abdichtung mehr gewährleistet wird. Setzen Sie den Deckel samt Ventilator auf das Filtergehäuse herab, und schließen Sie die drei Haken-und-Ösen-Verschlüsse. Nehmen Sie die Patrone in Betrieb wie in Abschnitt 5.2.7.

5.2.7 Inbetriebnahme einer neuen Filterpatrone

Neue Filterpatronen müssen vorgealtert werden. Dazu lässt man eine Staubschicht an dem Filter entstehen, bevor man die Filterpatrone reinigt. Verwenden Sie die Strahlkabine wie im regulären Einsatz für ungefähr zwei Stunden, oder bis die Sicht in der Kabine deutlich zurückgeht. Erst dann sollte das Kugelventil zur Druckluftreinigung der Filterpatrone zum ersten Mal stoßartig mehrmals auf und zu gedreht werden.

Ist eine automatische Impulsreinigung eingebaut, so drehen Sie den Impulsdruckregler aus (auf 0 bar). Betreiben Sie dann die Kabine ohne Impulsreinigung etwa zwei Stunden lang oder bis die Sicht zurückgeht, je nachdem, was zuerst eintritt. Stellen Sie dann den Impulsdruckregler auf 4,5 bar um die Impulsreinigung zu starten.

5.2.8 Ersetzen des Ventilsitzes

Um das Pop-up-Ventil (4) und den Ventilsitz (5) auszutauschen, muss der Flansch des Strahlkessels (3) vom Flansch des Strahlkabinen (1) getrennt werden. Lösen Sie hierzu die Schrauben (10) und trennen Sie den Strahlkessel (2) vorsichtig über den Flansch (3) vom Strahlkabinen (1). Überprüfen Sie den Ventilsitz (5) auf Verschleiß und Beschädigungen. Entfernen Sie den abgenutzten Ventilsitz ggf. mithilfe eines Schlitzschraubendrehers, um den zu ersetzen. Lösen Sie die Schrauben (9) und entfernen Sie den Flansch (3) vom Strahlkessel (2). Entfernen Sie das Ventil (4) und das Führungsrohr (7) vom Rohr des Strahlkessel (2) und lösen Sie das Ventil (4) vom Führungsrohr (7). Schrauben Sie das neue Ventil (4) auf das Führungsrohr (7), bauen Sie den Behälter in umgekehrter Reihenfolge wieder zusammen und setzen Sie ihn ein. Ersetzen Sie ggf. die Dichtung (6) und (8).

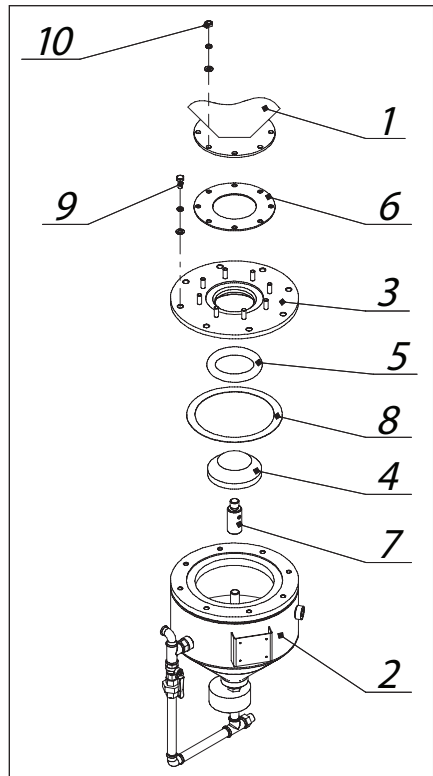


Abb. 5.2.8. Ersetzen des Ventilsitzes

6. Störungsbeseitigung



ACHTUNG!

Um schwere Verletzungen zu vermeiden, beachten Sie folgende Regeln bei der Störungsbeseitigung:

- . Drehen Sie die Luftzufuhr ab und lösen Sie die Schläuche.
- . Falls zur Überprüfung Luft benötigt wird, holen Sie unbedingt die Hilfe einer zweiten Person hinzu, um:
 - die Düse festzuhalten.
 - das Fußpedal zu bedienen.
- . Umgehen Sie nie das Fußpedal und verkeilen Sie es nie in Arbeitsposition.
- . Umgehen Sie nie das Türsicherungssystem.

6.1. Schlechte Sicht

6.1.1 Schlechte Sicht könnte durch eine verschmutzte Filterpatrone verursacht werden. Leeren Sie den Staubbehälter regelmäßig. Überprüfen Sie die Filterpatrone und ersetzen Sie sie falls notwendig. Reinigen Sie die Filterpatrone regelmäßig (siehe Kapitel 4.2.4)

6.1.2 Der Ventilator dreht sich rückwärts. Der Motor sollte sich in die durch den Pfeil am Gehäuse angegebene Richtung drehen. Falls er sich nicht in die richtige Richtung dreht, schalten Sie den Strom ab und nehmen Sie die Anschlussleitung vom Netz. Tauschen Sie dann die Anschlüsse wie auf der Motorplatte angegeben.

6.1.3 Die Verwendung von weichem Strahlmittel, das schnell zerschlägt, oder zu feines oder verbrauchtes Strahlmittel kann zu schlechter Sicht führen.

6.1.4 Die Strömungsklappe am Auslass ist zu weit geschlossen und behindert den Luftstrom. Stellen Sie Kabinendruck ein wie in Abschnitt 4.3.4 erläutert..

6.2. Außergewöhnlich hoher Strahlmittelverbrauch

6.2.1 Die Auslassklappe ist zu weit geöffnet. Stellen Sie den Unterdruck wie in Abschnitt 4.3.4. beschrieben ein.

6.2.2 Es wird zu weiches Strahlmittel verwendet, das schnell zerschlägt, oder das Strahlmittel ist zu fein oder schon abgenutzt.

6.2.3 Der Strahl Druck ist zu hoch für das verwendete Strahlmittel, so dass es schneller zerschlägt.

6.3. Verminderte Strahlarbeitsleistung

6.3.1 Zu wenig Strahlmittel reduziert den Strahlmittelfluss. Überprüfen Sie die Menge und füllen Sie gegebenenfalls Strahlmittel nach.

6.3.2 Falsche Einstellung des Dosierventils. Stellen Sie es wie in Abschnitt 4.3.3 angegeben ein.

6.3.3 Verminderter Luftdruck. Dies könnte durch einen nicht richtig funktionierenden Regler, ein verschmutztes Filterelement im Luftfilter, ein teilweise geschlossenes Luftventil, eine undichte Zuleitung oder gleichzeitige Verwendung von anderen Luftdruckwerkzeugen hervorgerufen werden.

6.3.4 Verstopfte Strahlschlauch oder Nozzle. Ein Verstopfen kann auftreten als Resultat von fehlendem Grobfiltersieb in der Rückgewinnung oder falscher Einstellung des Dosierventils, so dass der Strahlmittelfluss zu zäh ist. Überprüfen Sie die Einstellung wie in Abschnitt 4.3.2.

6.3.5 Abnutzung der Strahldüse. Überprüfen Sie die Strahldüse und ersetzen Sie diese wenn erforderlich.

6.3.6 Abgenutzter Strahlmittelschlauch. Überprüfen Sie den Schlauch auf Lecks oder weiche Stellen und ersetzen Sie ihn, wenn er abgenutzt oder beschädigt ist.

6.3.7 Feuchtes Strahlmittel. Häufiges Verklumpen oder Verstopfen im Bereich des Regelventils kann durch Feuchtigkeit verursacht werden.

6.4. Nur Luft (kein Strahlmittel) tritt aus der Düse heraus

6.4.1 Stellen Sie sicher, dass Strahlmittel in der Maschine vorhanden ist.

6.4.2 Überprüfen Sie, dass der Hebel des Strahlmitteldosierventils nicht in der „ganz-rechts“ oder „ganz-links“-Position ist.

6.4.3 Überprüfen Sie, dass das Dosierventil nicht durch fremde Gegenstände blockiert wird. Dazu öffnen Sie das Dosierventil vollständig und schließen das Kugelhahn-Ventil. Drücken Sie auf das Fußpedal um Hindernisse herauszublasen. Wird das Problem nicht durch diesen Vorgang gelöst, dann lassen Sie den Druck in der Maschine ab und öffnen das Dosierventil um es auf Fremdkörper zu untersuchen.

6.4.4 Stellen Sie sicher, dass der Schlauch der vom Membranventil führt nicht beschädigt ist oder Lecke aufweist.

6.4.5 Das Strahlmitteldosierventil muss gewartet werden. Siehe hierzu

Bedienungsanleitung zu Strahlmitteldosierventil.

6.5. Weder Strahlmittel noch Luft tritt aus der Düse aus, wenn der Fußschalter betätigt wird

6.5.1 Lassen Sie den Druck in der Maschine ab und überprüfen Sie die Düsen auf Hindernisse.

6.5.2 Überprüfen Sie, dass der Druck in der Strahlmaschine auf Betriebsdruck steigt, in dem Sie das Fußpedal betätigen. Ist dies nicht der Fall, siehe Kapitel 6.8.

6.5.3 Überprüfen Sie, dass das Strahlmitteldosierventil und Kugelhahn-Ventil geöffnet sind.

6.6. Der Strahlvorgang hört nicht auf bei Loslassen des Fußpedals

6.6.1 Stellen Sie sicher, dass beim Loslassen Luft aus dem 3-Wegeventil des Fußschalters austritt. Falls das nicht der Fall ist, überprüfen Sie, ob die Leitungen verstopft sind oder der Schalter defekt.

6.7. Druck in der Strahlmaschine wird nicht aufgebaut

6.7.1 Stellen Sie sicher, dass die Luftversorgung eingeschaltet ist und das Luftversorgungsventil in der „offen“-Position ist.

6.7.2 Überprüfen Sie, dass das Luftdruckregelventil auf über 3 bar eingestellt ist.

6.7.3 Die Verriegelung der Kammertüren rastet nicht ein. Um die Türverriegelung einzustellen, siehe Kapitel 4.3.4.

6.7.4 Überprüfen Sie das Membran Ein/Ausventil auf Verschleiß.

6.7.5 Überprüfen Sie das Pop-up-Ventil auf Verschleiß und auf eine korrekte Ausrichtung der Komponenten.

6.7.6 Überprüfen Sie die Steuerungsschläuche auf Undichtheit oder Hindernisse. Überprüfen Sie zusätzlich die Vollständigkeit und Unversehrtheit aller Schläuche und Schlauchverbindungsstücke.

6.7.7 3-Wege-Ventil im Fußpedal ist defekt. Überprüfen Sie die Ausrichtung des Pedals und Ein- und ausgangsschläuche.

6.7.8 Stellen Sie sicher, dass alle Schläuche nach Bild 20. am Fußpedal und Regelventil montiert sind.

6.8. Druck wird in der Strahlmaschine nicht oder nur sehr langsam herabgesetzt

6.8.1 Wenn das Pedal nicht durchgetreten wird, wird im Normalfall Luft aus dem 3-Wege-Ventil gepustet. Ist dies nicht der Fall, überprüfen Sie den Schalter im Pedal.

6.8.2 Überprüfen Sie den Ausgangsschlauch vom Pedal zur Kammer auf Verstopfungen.

6.9. Überhöhter Strahlmittelfluss

6.9.1 Stellen Sie sicher, dass das Kugelhahn-Ventil geöffnet ist.

6.9.2 Strahlmitteldurchflusseinstellung ist zu hoch. Regeln Sie den Strahlmitteldurchfluss mittels des Strahlmitteldosierventils (siehe Kapitel 4.3.2). Sollte dies jedoch keinen Einfluss auf den Strahlmittelfluss haben, entleeren Sie die Maschine von Strahlmittel, setzen Sie den Druck herab und trennen Sie die Verbindung zur Luftversorgung. Demontieren Sie und überprüfen Sie das Dosierventil auf Verschleiß.

6.10. Luftrückstoß im den Strahlmittelschlauch

6.10.1 Verstopfte Düse. Nehmen Sie die Düse ab und überprüfen sie.

6.10.2 Der Luftstrom könnte zu stark für die Düse sein.

6.11. Statische Stromschläge

6.11.1 Die Kabine und/oder der Bediener sind nicht geerdet. Beim Strahlvorgang entsteht statische Elektrizität. Die Strahlkabine muss geerdet sein, um eine statische Aufladung zu vermeiden. Siehe Abschnitt 4.1.3. Falls weiterhin Schläge auftreten, könnte es sein, dass sich der Bediener statisch auflädt. Bringen Sie ein kleines Erdungskabel (z.B. mit Armband) zwischen Bediener und Kabine an.

6.11.2 Vermeiden Sie, Werkstücke vom Gitter hochzunehmen. Statische Elektrizität baut sich im Werkstück auf, wenn sie nicht durch die Metallkabine abgeleitet wird.

6.12. Staub tritt aus dem Staubabscheider aus

6.12.1 Beschädigte oder lockere Filterpatrone. Überprüfen Sie die Filterpatrone.

6.12.2 Beschädigte oder verschlissene Dichtung am Staubabscheiderdeckel. Überprüfen Sie die Dichtung und im Fall einer Beschädigung ersetzen Sie diese.

7. Ersatzteile

7.1. Kabine

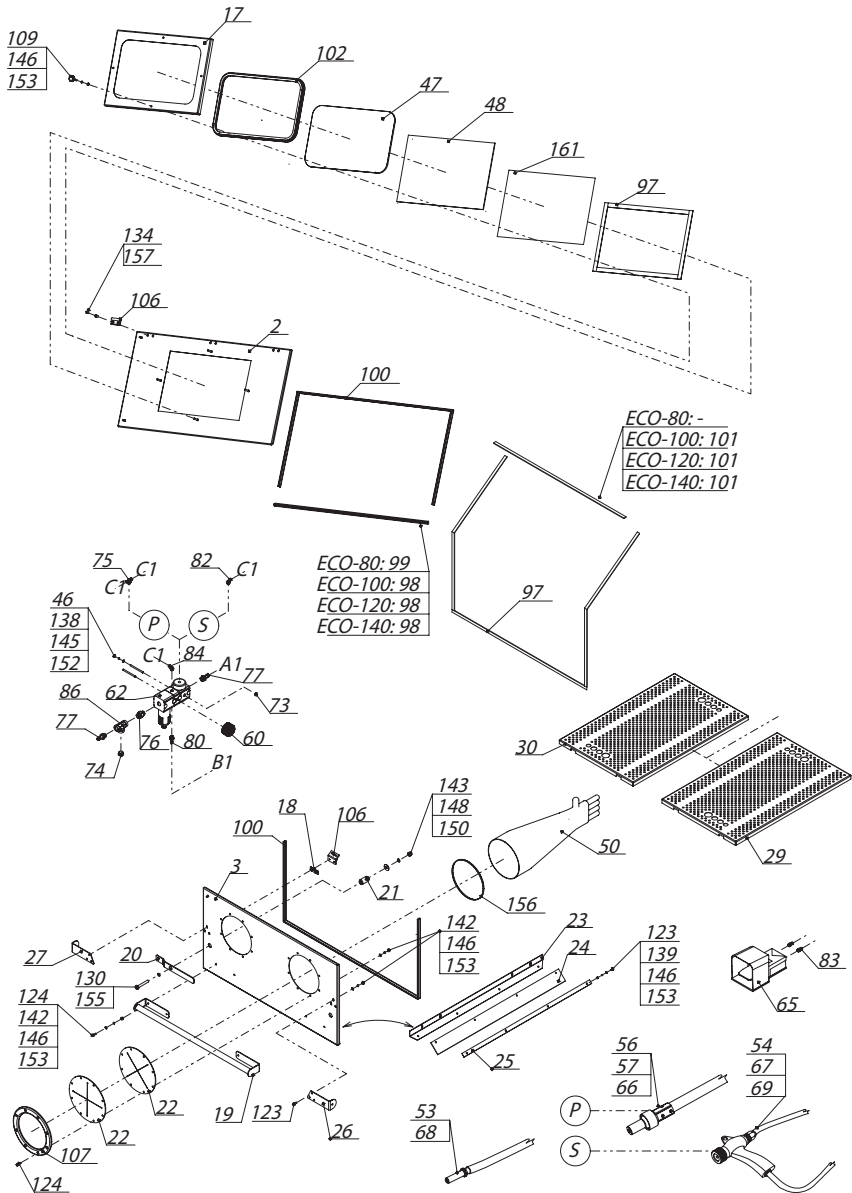


Abb. 7.1.1. Übersicht Strahlkabine ECO-80P/100P/120P/140P

HOSES		
Position	Hose	Bracket
A1	69	159
B1	68	158
C1	71	-
D1	67	159
D2	66	160
E1	66	160

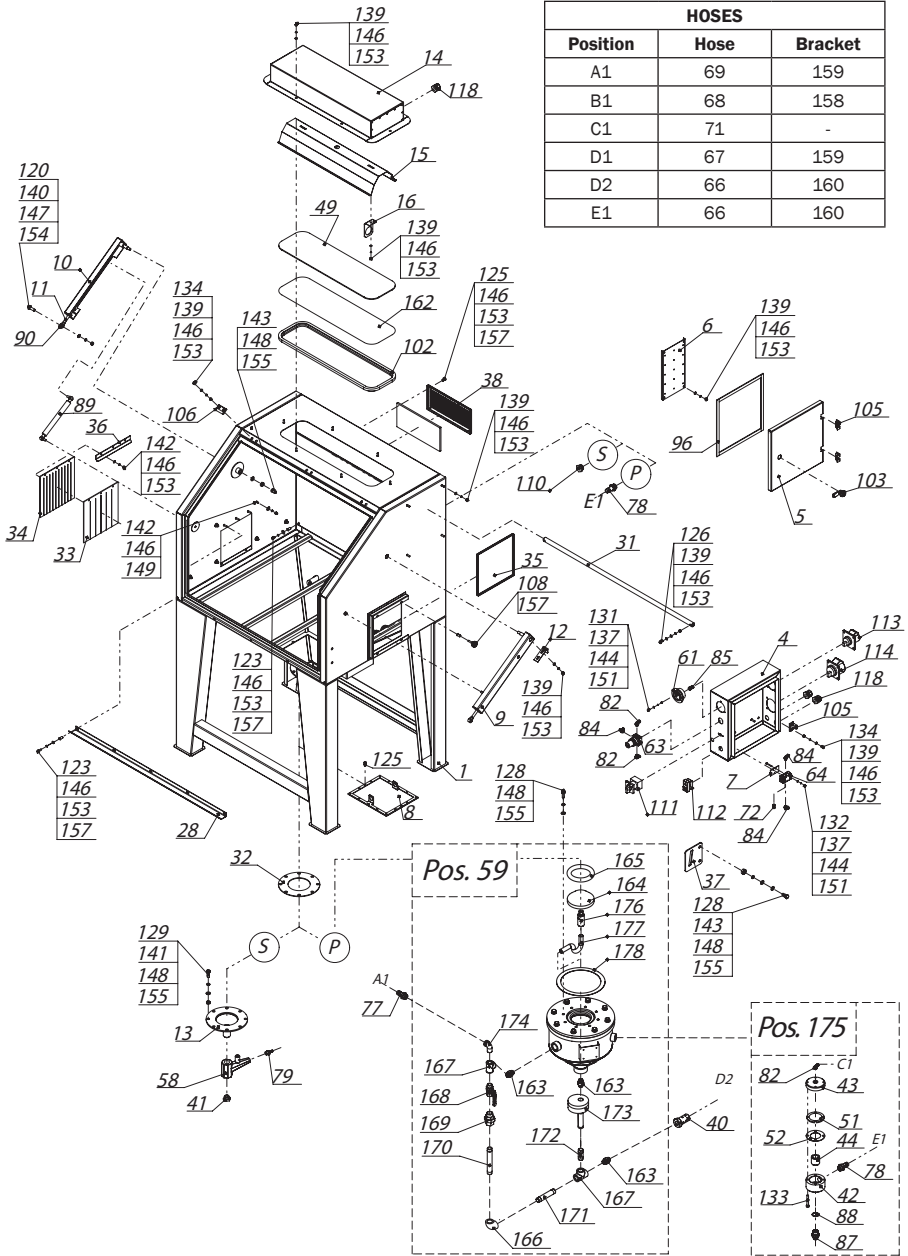


Abb. Nr.	Artikelnr.	Beschreibung	ECO 80P	ECO 100P	ECO 120P	ECO 140P
1	88000003	Gehäuse	1			
	88000004	Gehäuse		1		
	88000005	Gehäuse			1	
	88000006	Gehäuse				1
2	81100042	Obertür für Strahlkabine	1			
	81100044	Obertür für Strahlkabine		1		
	81100046	Obertür für Strahlkabine			1	
	89500001	Obertür für Strahlkabine				1
3	81100043	Untertür für Strahlkabine	1			
	81100045	Untertür für Strahlkabine		1		
	81100047	Untertür für Strahlkabine			1	
	89500002	Untertür für Strahlkabine				1
4	83400018	Schrank	1	1	1	1
5	83100040	Tür für Schrank	1	1	1	1
6	86900009	Platte	1	1	1	1
7	89300001	Platte	1	1	1	1
8	87100011	Grid	1	1	1	1
9	88300004	Teilbreite rechts		1		
	88300007	Teilbreite rechts			1	
	88300010	Teilbreite rechts				1
10	88300005	Teilbreite links		1		
	88300008	Teilbreite links			1	
	88300011	Teilbreite links				1
11	89200001	Stange	2	2	2	2
12	82100004	Anschlag	1	1	1	1
13	88700002	Konus				
14	83400019	Lichtquelle	1	1	1	1
15	82600003	Reflektor	1	1	1	1
16	80600030	Winkel	2	2	2	2
17	83900012	Frame	1	1	1	1
18	85800005	Platte	2	4	6	8
19	87500005	Handhabe	1			
	87500004	Handhabe		1	1	1
20	87500003	Handhabe	2	2	2	2
21	86000003	Muffe	2	2	2	2
22	84000004	Gummivorhang	4	4	4	4

Abb. Nr.	Artikelnr.	Beschreibung	ECO 80P	ECO 100P	ECO 120P	ECO 140P
23	82400041	Lasche	1			
	82400025	Lasche		1		
	82400026	Lasche			1	
	82400027	Lasche				1
24	82400042	Gummivorhang	1			
	82400043	Gummivorhang		1		
	82400044	Gummivorhang			1	
	82400040	Gummivorhang				1
25	81050002	Lasche	1			
	82400038	Lasche		1		
	82400045	Lasche			1	
	82400039	Lasche				1
26	80600018	Winkel	1			
	80600021	Winkel		1		
	80600023	Winkel			1	1
27	80600019	Winkel	1			
	80600020	Winkel		1		
	80600024	Winkel			1	1
28	89100001	Nut	1			
	89100002	Nut		1		
	89100003	Nut			1	
	89100004	Nut				1
29	88800005	Lochblech	1			
	88800007	Lochblech		1		
	88800009	Lochblech			1	
	88800011	Lochblech				1
30	88800006	Lochblech	1			
	88800008	Lochblech		1		
	88800010	Lochblech			1	
	88800012	Lochblech				1
31	88300003	Stande	1			
	88300006	Stande		1		
	88300009	Stande			1	
	88300012	Stande				1
32	88500007	Gummidichtung	1	1	1	1
33	84000005	Gummivorhang	2	2	2	2
34	84000006	Gummivorhang	2	2	2	2

Abb. Nr.	Artikelnr.	Beschreibung	ECO 80P	ECO 100P	ECO 120P	ECO 140P
35	88400002	Schieber	2	2	2	2
36	82600004	Reflektor platte	2	2	2	2
37	81400014	Platte	2	2	2	2
38	89400002	Grittasche	1	1	1	1
39	22020001	Stirnlochschlüssel	1	1	1	1
40	85800003	Verschraubung	1	1	1	1
41	52030002	Stopfen				
42	83400025	Entleerungsventil, baugrippe	1	1	1	1
43	81100054	Entleerungsventil, haube	1	1	1	1
44	10100001	Entleerungsventil, buchse	1	1	1	1
46	85900002	Stift	2	2	2	2
47	22030001	Sicherheitsglass	1	1	1	1
48	22030002	Prallscheibe	1	1	1	1
49	22030003	Lichtglas	1	1	1	1
50	10115606	Strahlhandschuhe	1	1	1	1
51	29000028	Membran	1	1	1	1
53	10115901	Abblasdüse	1	1	1	1
54	10115300	Handstrahlpistole				
55	10115508	Strahldüse				
56	10112551	Strahldüse	1	1	1	1
57	10112209	Düsenhalter für Strahlschlauch	1	1	1	1
58	10115920	Strahlmitteldosierventil				
59	22040001	Strahlgerät, komplett	1	1	1	1
60	51202008	Manometer		1	1	1
61	51202010	Manometer	1	1	1	1
62	51203002	Pneumatische Steuereinheit	1	1	1	1
63	51201001	Druckregler Arbeitsdruck	1	1	1	1
64	51203007	Türsicherungsventil	1	1	1	1
65	51203003	Pneumatischer Fußventil	1	1	1	1
66	10112109	Strahlschlauch	3,05	3,05	3,45	4,14
67	41102004	Pneumatikschlauch				
68	10130900	Pneumatikschlauch	1,9	2	2,3	2,8
69	41200001	Pneumatikschlauch	1	1	1,1	1,3
70	41101003	Pneumatikschlauch	2	2	2	2
71	41101001	Pneumatikschlauch	8,4	8,5	8,9	10,7
72	51204001	Geräuschkämpfer	1	1	1	1
73	51205003	Stopfen	1	1	1	1

Abb. Nr.	Artikelnr.	Beschreibung	ECO 80P	ECO 100P	ECO 120P	ECO 140P
74	51205006	Stopfen	1	1	1	1
75	51100015	Verschraubung	1	1	1	1
76	51400006	Verschraubung	1	1	1	1
77	51300002	Verschraubung	3	3	3	3
78	85800006	Verschraubung	2	2	2	2
79	51300007	Verschraubung				
80	51300008	Verschraubung	1	1	1	1
81	51300009	Verschraubung	1	1	1	1
82	51100004	Verschraubung	3	3	3	3
83	51100003	Verschraubung	2	2	2	2
84	51100004	Verschraubung	4	4	4	4
85	51100006	Verschraubung	1	1	1	1
86	52070001	Verschraubung	1	1	1	1
87	51400010	Verschraubung	1	1	1	1
88	67000008	Dichtring Kupfer	1	1	1	1
89	51500002	Gasdruckfeder	2			
	51500003	Gasdruckfeder		2		
	51500005	Gasdruckfeder			2	
	51500010	Gasdruckfeder				2
90	51500013	Endstück	2	2	2	2
91	90855146	Gummidurchführung	2	2	2	2
92	90855156	Gummidurchführung				
93	90855166	Gummidurchführung	2	2	2	2
94	90855155	Gummistopfen	2	2	2	2
95	90855165	Gummistopfen				
96	90407004	Dichtung	3,07	3,07	3,07	3,07
97	90407005	Dichtung	2,9	2,7	3,2	3,4
98	90401004	Dichtung	0,8	0,9	1,1	1,3
99	90401001	Dichtung	2,9	2,1	2,1	2,1
100	90401002	Dichtung	2,9	3,5	4,2	4,5
101	90401005	Dichtung	0,8	0,9	1,1	1,3
102	90406001	Dichtung	3,2	3,2	3,2	3,2
103	90201001	Schloss	1	1	1	1
104	90203001	Schlüssel	1	1	1	1
105	90202003	Scharnier	2	2	2	2
106	90202006	Scharnier	4	5	6	8
107	22140005	Flansch	2	2	2	2

Abb. Nr.	Artikelnr.	Beschreibung	ECO 80P	ECO 100P	ECO 120P	ECO 140P
108	90204004	Griff	8	8	8	8
109	90204006	Griff	4	4	4	4
110	52030001	Stopfen				
111	32060001	Nockenschalter 0-I	1	1	1	1
112	33070001	Doppeldrucktaster EIN / AUS	1	1	1	1
113	33280003	Leitungsrosette	1	1	1	1
114	33280005	Leitungsrosette	1	1	1	1
115	33270005	Netzstecker	1	1	1	1
116	33140003	Lampe	2	2	2	2
117	33140004	Fassung	2	2	2	2
118	33030002	Anschluß	4	4	4	4
119	33030012	Anschluß	1			
120	61110830	Sechskantschraube	2	2	2	2
121	61110610	Sechskantschraube	8	8	8	8
122	61110612	Sechskantschraube	8	8	8	8
123	61110616	Sechskantschraube	13	13	13	13
124	61110620	Sechskantschraube	24	24	30	30
125	61110630	Sechskantschraube	8	8	8	8
126	61110640	Sechskantschraube	2	2	2	2
127	61110855	Sechskantschraube	1	1	1	1
128	61111025	Sechskantschraube	12	12	12	12
129	61111030	Sechskantschraube				
130	61111070	Sechskantschraube	2	2	2	2
131	62310420	Zylinderkopfschraube	3	3	3	3
132	62510410	Zylinderkopfschraube	3	3	3	3
133	62110860	Zylinderkopfschraube	4	4	4	4
134	62310616	Zylinderkopfschraube	24	24	24	24
135	62510420	Zylinderkopfschraube	8	8	8	8
136	62804213	Zylinderkopfschraube	8	8	8	8
137	63110004	Sechskantmutter	6	6	6	6
138	63110005	Sechskantmutter	4	4	4	4
139	63110006	Sechskantmutter	46	46	60	60
140	63110008	Sechskantmutter	7	9	8	8
141	63110010	Sechskantmutter	8	10	10	10
142	63300006	Sechskantmutter	50	50	50	50
143	63300010	Sechskantmutter	8	8	8	8
144	64310004	Federscheibe	6	6	6	6

Abb. Nr.	Artikelnr.	Beschreibung	ECO 80P	ECO 100P	ECO 120P	ECO 140P
145	64310005	Federscheibe	4	4	2	2
146	64310006	Federscheibe	112	112	126	126
147	64310008	Federscheibe	4	6	6	6
148	64310010	Federscheibe	10	10	10	10
149	64210006	U-Scheibe	26	26	26	26
150	64210010	U-Scheibe	4	4	4	4
151	64110004	U-Scheibe	6	6	6	6
152	64110005	U-Scheibe	4	4	4	4
153	64110006	U-Scheibe	106	106	106	106
154	64110008	U-Scheibe	2	2	2	2
155	64110010	U-Scheibe	16	12	12	18
156	90100001	Xschlauchschele	4	4	4	4
157	66010002	Niet	43	43	43	43
158	90100005	Xschlauchschele	2	2	2	2
159	90100006	Xschlauchschele	6	6	6	6
160	90100007	Xschlauchschele	2	2	2	2
161	87100014	Grid	1	1	1	1
162	87100015	Grid	1	1	1	1
163	10110521	Nippel	3	3	3	3
164	10110960	Kesseldruckventil	1	1	1	1
165	10110950	Dichtungsring	1	1	1	1
166	10110548	Bogen	1	1	1	1
167	10110524	T-Stück	2	2	2	2
168	10110525	Kugelventil	1	1	1	1
169	10110522	Verschraubung gerade	1	1	1	1
170	10110546	Rohr	1	1	1	1
171	10110529	Rohr	1	1	1	1
172	10110531	Rohr	1	1	1	1
173	10110520	Strahlmittelventil	1	1	1	1
174	10110550	Bogen	1	1	1	1
175	51203005	Entleerungsventil	1	1	1	1
176	10110532	Führungsrohr mit Ventilsitz	1	1	1	1
177	82000135	Führungsrohr mit Ventilsitz	1	1	1	1
178	90403034	Dichtung	1	1	1	1

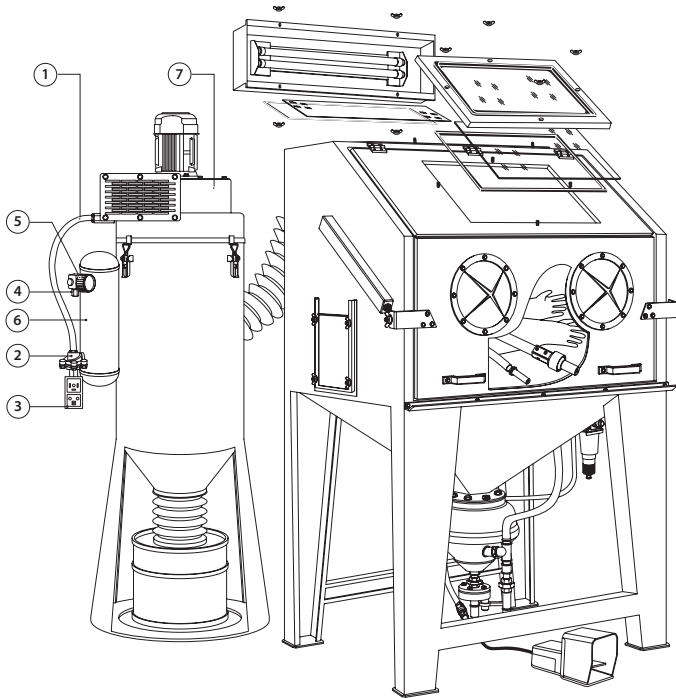


Abb. 7.1.2. Sonderausführung ECO-80PF/100PF/120PF/140PF

Abb. Nr.	Artikelnr.	Beschreibung	Betrag
	10117525	Impulsabreinigung, Upgrade-Paket für DC-370	
1	10151002	AirFlex-19, Druckluftschläuche 19x28mm, 1m	0,5 m
2	51203004	Membranventil Impulsabreinigung 3/4"	1
3	32040001	Zeitschalter für Patronenreinigung	1
4	51201001	Druckregler, 1/4"	1
5	10130404	Manometer 1/8" (Gummi-Schutzkappe)	1
6	88600001	Druckbehälter für Impulsabreinigung	1
7	22010301	Lüfterrad DC-370	1

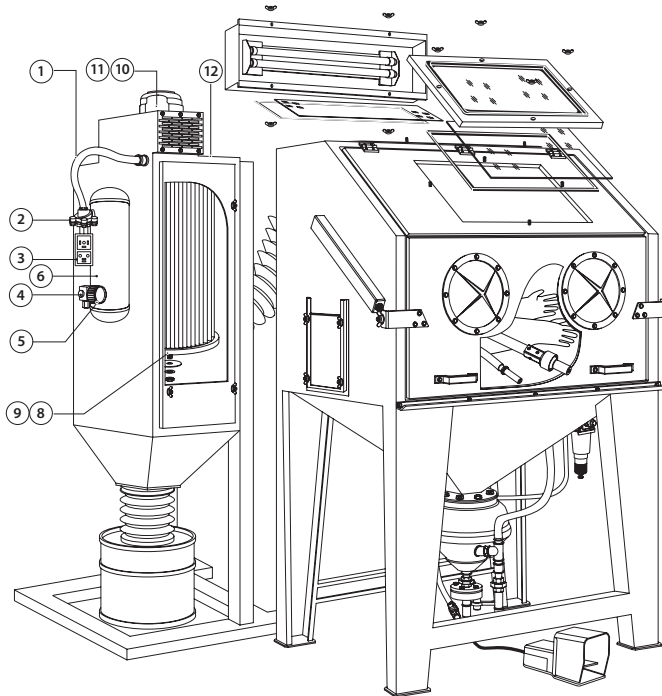


Abb. 7.1.3. Sonderausführung ECO-80PL/100PL/120PL/140PL

Abb. Nr.	Artikelnr.	Beschreibung	Betrag
	10117513	Patronenstaubfilter DC-550, einschl. 0,55 kW Lüfter, Patronenfilter, Impulsabreinigung	
	10117514	Patronenstaubfilter DC-750, einschl. 0,75 kW Lüfter, Patronenfilter, Impulsabreinigung	
1	10151002	AirFlex-19, Druckluftschläuche 19x28mm, 1m	0,5 m
2	51203004	Membranventil Impulsabreinigung 3/4"	1
3	32040001	Zeitschalter für Patronenreinigung	1
4	51201001	Druckregler, 1/4"	1
5	10130404	Manometer 1/8" (Gummi-Schutzkappe)	1
6	88600001	Druckbehälter für Impulsabreinigung	1
8	22070103	Patronenfilter für CAB/DC ab Baureihe 550	1
9	22070104	Patronenfilter für CAB/DC ab Baureihe 750	1
10	31120002	Elektromotor 0,55 kW für DC-550	1
11	31120003	Elektromotor 0,75 kW für DC-750	1
12	22010101	Lüfterrad für DC-550	1
	22010201	Lüfterrad für DC-750	1

7.2. Pneumatic circuit diagram

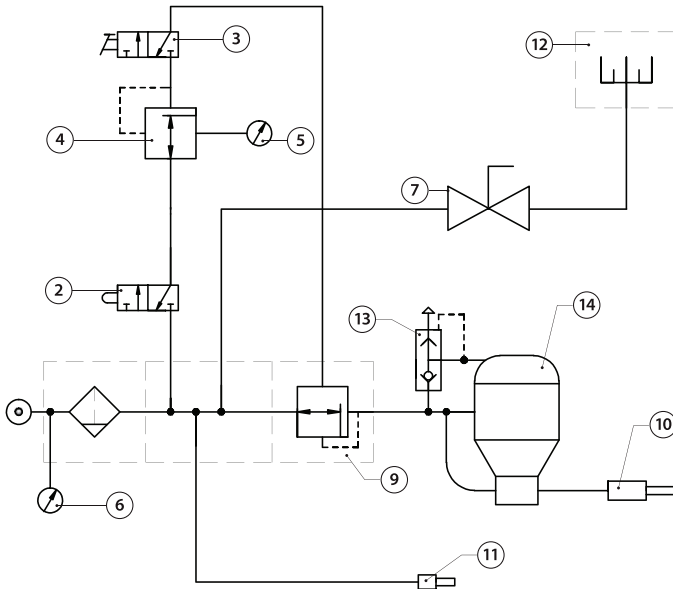


Abb. 7.2.1. Pneumatischer Schaltplan ECO-80P/100P/120P/140P

Abb. Nr.	Artikelnr.	Beschreibung
2	51203007	Türsicherungsventil 1/8"
3	51203003	Pneumatischer Fußventil
4	51201001	Druckregler, 1/4"
5	51202010	Einbau-Manometer 1/8"
6	10130404	Manometer 1/8" (Gummi-Schutzkappe)
7	10110525	Kugelventil, 1/2", (außen/innen)
9	51203002	Druckregler 1", Ferngesteuert
10	10112551	NTC-5.0, Venturi Strahldüse, Wolframkarbid, 5.0 mm x 45 mm
11	10115901	Abblasdüse, Gummi
12	22070106	Patronenfilter, für DC-370
13	51203005	Ablassventil, ECO-Serie
14	22040001	Strahlgerät, 13 liter, für ECO-Serie

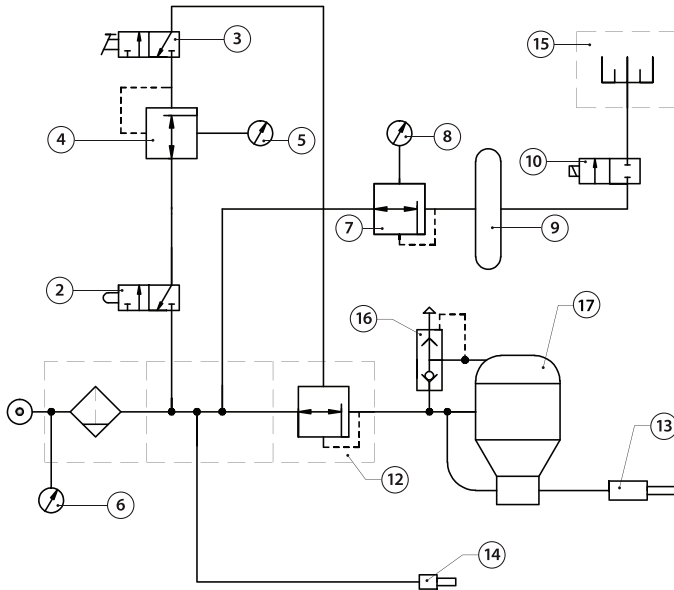


Abb. 7.2.2. Pneumatischer Schaltplan
ECO-80PF/100PF/120PF/140PF/ ECO-80PL/100PL/120PL/140PL

Abb. Nr.	Artikelnr.	Beschreibung
2	51203007	Türsicherungsventil 1/8"
3	51203003	Pneumatischer Fußventil
4	51201001	Druckregler, 1/4"
5	51202010	Einbau-Manometer 1/8"
6	10130404	Manometer 1/8" (Gummi-Schutzkappe)
7	51201001	Druckregler, 1/4"
8	51202008	Manometer 1/8" (Gummi-Schutzkappe)
9	88600001	Druckbehälter für Impulsabreinigung
10	51203004	Membranventil Impulsabreinigung 3/4"
12	51203002	Druckregler 1", Ferngesteuert
13	10112551	NTC-5.0, Venturi Strahldüse, Wolframkarbid, 5.0 mm x 45 mm
14	10115901	Abblasdüse, Gummi
15	22070106	Patronenfilter für DC-370
	22070103	Patronenfilter für DC-550
	22070104	Patronenfilter für DC-750
16	51203005	Ablassventil, ECO-Serie
17	22040001	Strahlgerät, 13 liter, für ECO-Serie

7.3. Elektrischer Schaltplan

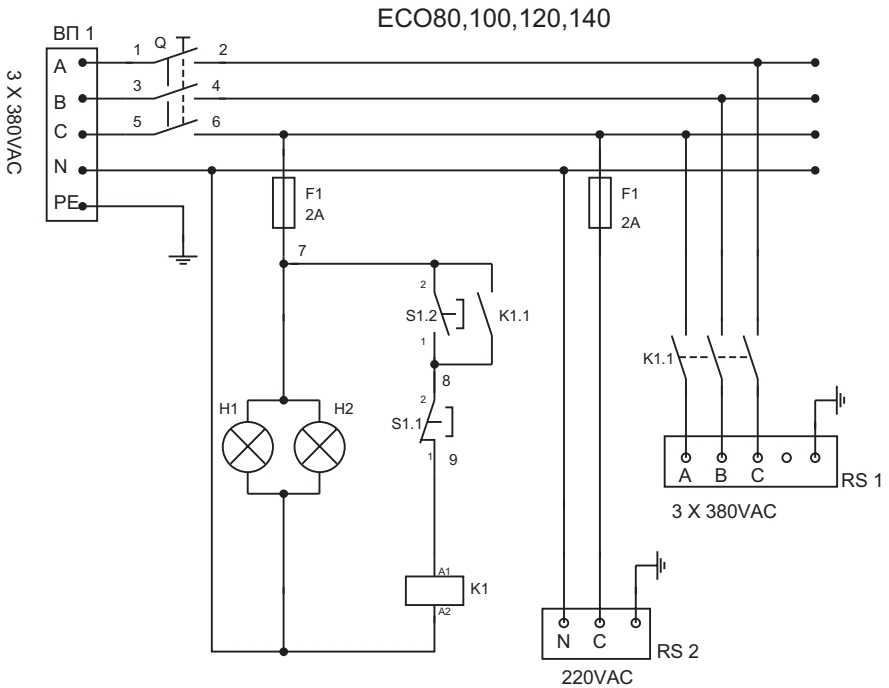
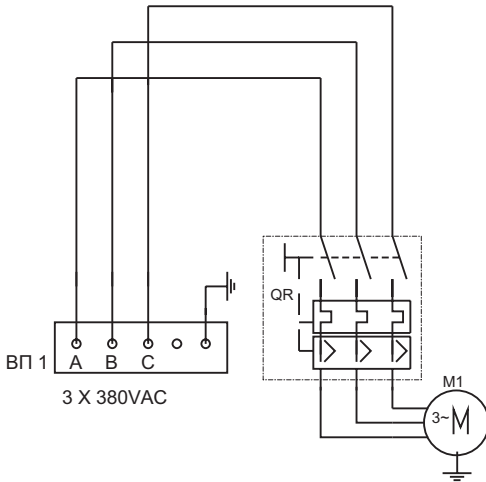


Abb. 7.3.1. Elektrischer Schaltplan ECO-80/100/120/140

DC370,550,750



JPS-370

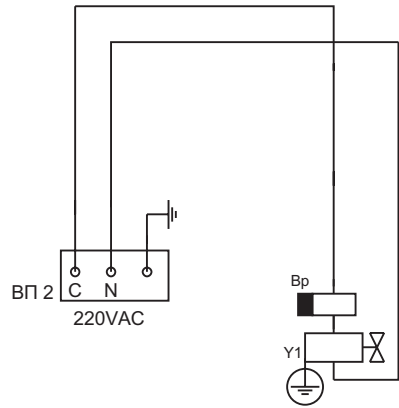


Abb. 7.3.2. Elektrischer Schaltplan DC-370/550/750

Abb. Nr.	Artikelnr.	Beschreibung
K1	35010011	Schütze 3-polig
S1	33070001	Double pushbuttons ON / OFF
HS	32060001	Nockenschalter 0-1
M	31120001	Elektromotor DC-370
	31120002	Elektromotor DC-550
	31120003	Elektromotor DC-750
Y1	51203004	Membranventil Impulsabreinigung
F	32080002	Sicherung
RS 1,2	33280005	Leitungsrosette
	33280003	Leitungsrosette
BП 1,2	33270005	Netzstecker
	33270006	Netzstecker
Bp	32040001	Zeitschalter für Patronenreinigung
QR	32130003	Automatikscharter
	32130002	Automatikscharter

1. Техника безопасности	102
2. Комплектация и описание кабины	103
3. Общие сведения	116
4. Наладка, эксплуатация и остановка	119
5. Техническое обслуживание	127
6. Поиск и устранение неисправностей	132
7. Запасные части	137



ВНИМАНИЕ!

ПЕРЕД НАЧАЛОМ РАБОТЫ НЕОБХОДИМО ПРОЧИТАТЬ И ПОЛНОСТЬЮ ПОНЯТЬ ДАННОЕ РУКОВОДСТВО.

ПРИВЕДЕННАЯ НИЖЕ ИНФОРМАЦИЯ ВАЖНА ДЛЯ БЕЗОПАСНОСТИ ЗДОРОВЬЯ ОПЕРАТОРА И ПЕРСОНАЛА, НАХОДЯЩЕГОСЯ В НЕПОСРЕДСТВЕННОЙ БЛИЗОСТИ.



ВНИМАНИЕ!

ПРИ ПОКУПКЕ КАБИНЫ ТРЕБУЙТЕ ПРАВИЛЬНОГО ЗАПОЛНЕНИЯ ГАРАНТИЙНОГО ТАЛОНА!

БЕЗ ПРЕДЪЯВЛЕНИЯ ЗАПОЛНЕННОГО БЛАНКА ГАРАНТИЙНОГО ТАЛОНА ГАРАНТИЯ НЕДЕЙСТВИТЕЛЬНА.

1. Техника безопасности

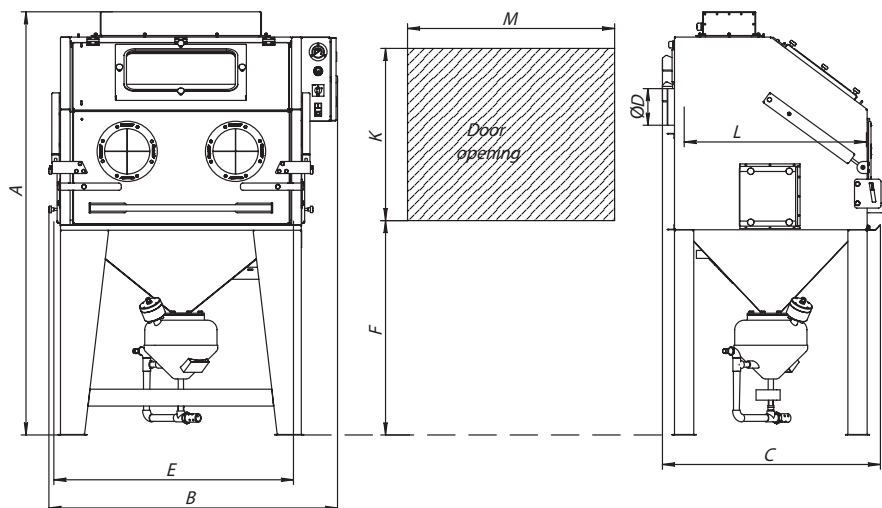


ВНИМАНИЕ!

МЕРЫ БЕЗОПАСНОСТИ ПРИ ЭКСПЛУАТАЦИИ АБРАЗИВОСТРУЙНЫХ КАБИН.

- 1. При абразивоструйной обработке необходимо надевать защитные перчатки.**
- 2. Недопустимо использовать при эксплуатации изношенное и неисправное оборудование/средства защиты.**
- 3. Необходимо направлять сопло только на очищаемую поверхность. Недопустимо направлять сопло на окна кабины.**
- 4. Необходимо использовать только сухие, хорошо просеянные абразивы, пригодные для операций абразивоструйной обработки.**
- 5. Перед началом работы абразивоструйной кабины необходимо:**
 - Убедиться, что перчатки, прокладки, шланги и фитинги не изношены;**
 - При использовании соединительных муфт шлангов закрепить их страховочными тросиками;**
 - Убедиться, что кабина заземлена;**
- 6. Во время абразивоструйной обработки все двери кабины, регенератор и пылесборник должны быть закрыты.**
- 7. После абразивоструйной обработки перед открыванием дверей и отключением вытяжного вентилятора с помощью воздушного сопла сдуть абразив с очищенных деталей.**
- 8. Запрещается открывать двери или отключать вытяжной вентилятор до удаления из кабины абразивной пыли.**

2. Комплектация и описание кабины



	A, мм	B, мм	C, мм	D, мм	E, мм	F, мм	K, мм	L, мм	M, мм	Масса, кг
ECO-80	1665	1000	685	52	800	890	620	535	680	139
ECO-100	1760	1200	910	52	1000	890	715	755	860	246
ECO-120	1860	1400	1110	52	1200	890	820	950	1085	274
ECO-140	2185	1650	1255	52	1350	1145	885	1130	1240	309

Рис. 2.1. Стандартная модель ECO-80P/100P/120P/140P габаритные размеры

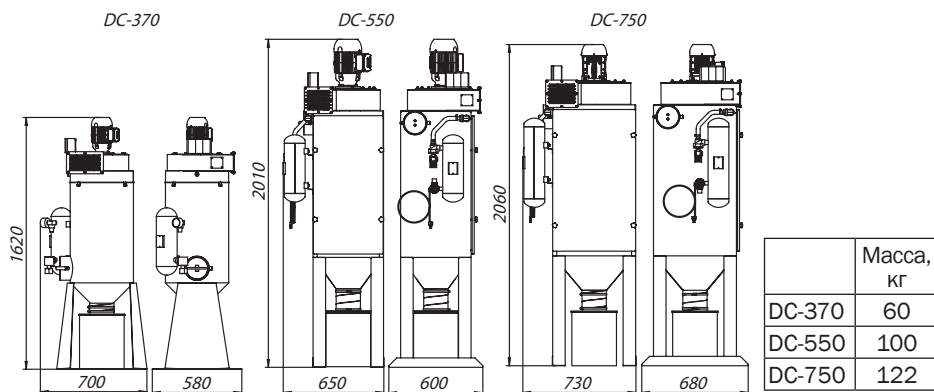


Рис. 2.2. Фильтр-камера DC-370/550/750 габаритные размеры

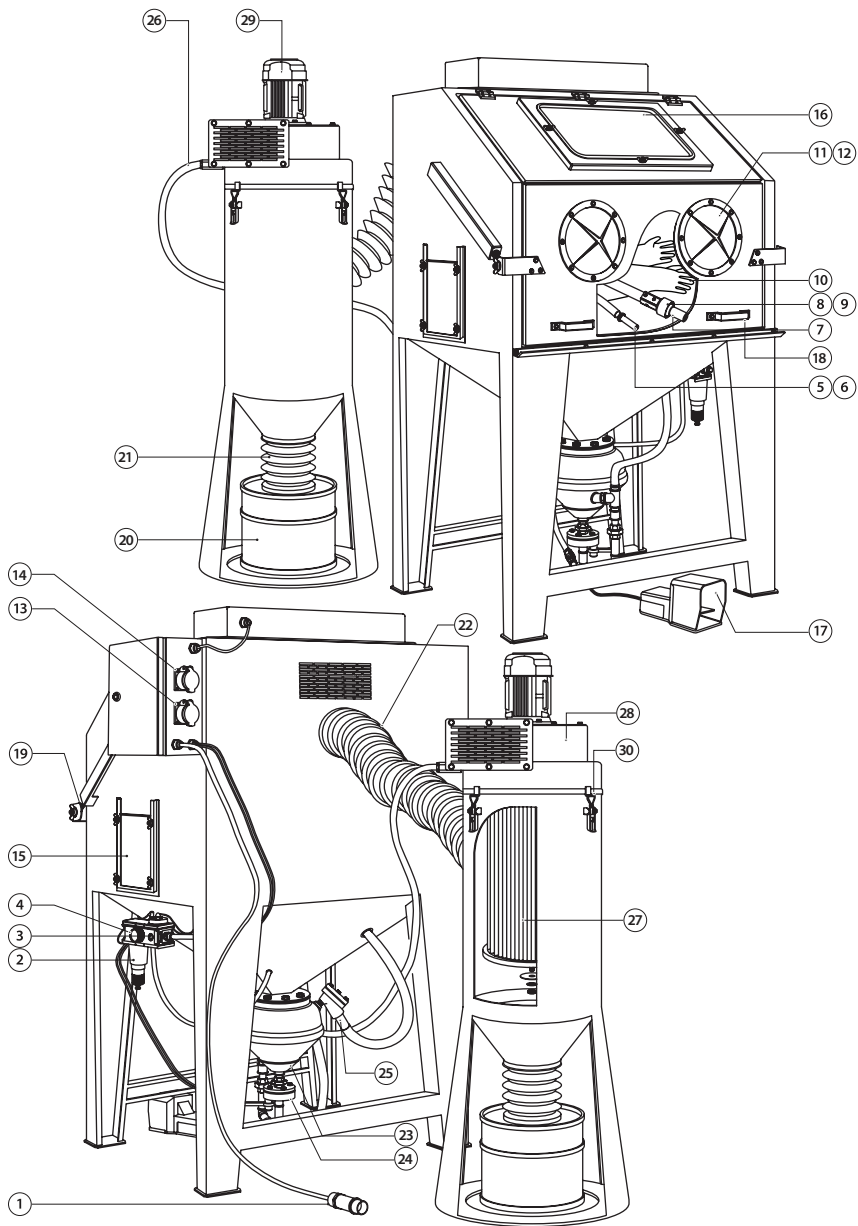


Рис. 2.3. Стандартная модель ECO-80P/100P/120P/140P общий вид

№ поз.	Описание
1	Вилка 380В
2	Фильтр основной линии
3	Клапан редукиционный
4	Манометр
5	Обдувочное сопло, резина
6	Рукав резиновый на обдувочное сопло
7	Сопло пескоструйное
8	Соплодержатель
9	Рукав пескоструйный
10	Перчатки RGS 600 мм, пара
11	Шторка отверстия для рук
12	Кольцо отверстия для рук
13	Розетка 380В
14	Розетка 230В
15	Проходная дверь встроенная
16	Окно кабины (сборка)
17	Педаля пневматическая
18	Ручка
19	Пневмопружина
20	Сборник пыли
21	Рукав пылесборника
22	Рукав вентиляционный
23	Аппарат абразивоструйный 13 л, для ECO-серии
24	Дозатор FSV-0 1/2"
25	Разгрузочный клапан, ECO-серия
26	Пневмошланг
27	Фильтр патронный (для DC-370)
28	Лопатка вентилятора DC-370
29	Электромотор 0,37 кВт
30	Защёлка, комплект

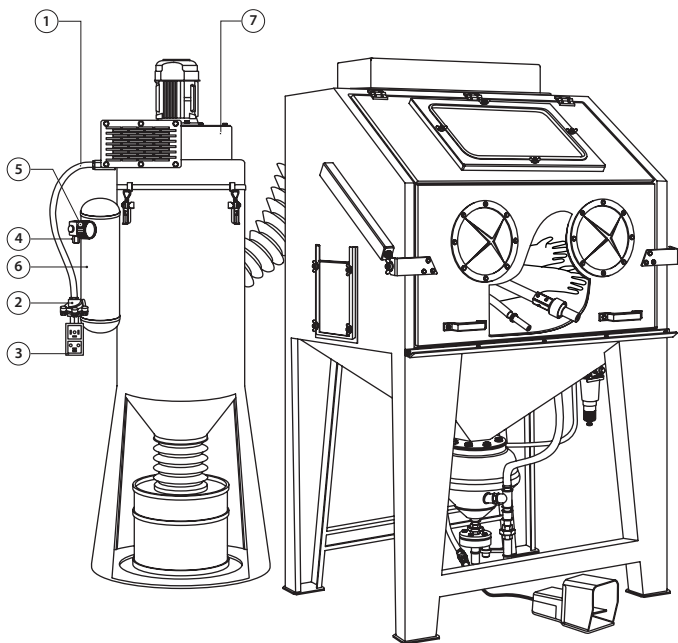


Рис. 2.4. Специальная модель ECO-80PF/100PF/120PF/140PF общий вид

№ поз.	Описание
1	AirFlex-19, Рукав сжатого воздуха 19x28 мм
2	Пневмоклапан импульсный 3/4"
3	Таймер управления имп. пневмоклапаном
4	Регулятор давления линии очистки выходного воздушного фильтра 1/4"
5	Манометр 1/8" (в резиновой оболочке)
6	Ресивер импульсной очистки фильтра
7	Лопатка вентилятора DC-370

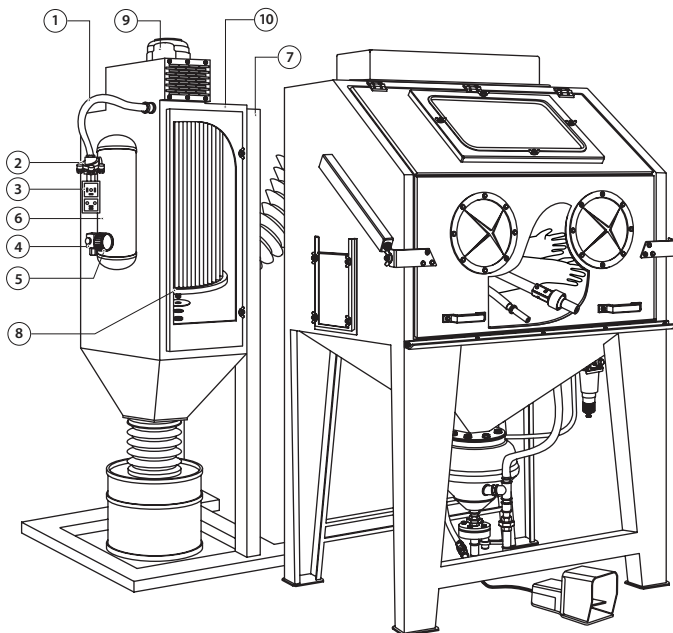


Рис. 2.5. Специальная модель ECO-80PL/100PL/120PL/140PL общий вид

№ поз.	Описание
1	AirFlex-19, Рукав сжатого воздуха 19x28 мм
2	Пневмоклапан импульсный 3/4"
3	Таймер управления имп. пневмоклапаном
4	Регулятор давления линии очистки выходного воздушного фильтра 1/4"
5	Манометр 1/8" (в резиновой оболочке)
6	Ресивер импульсной очистки фильтра
7	Стойка фильтр камеры для DC-550 и DC-750
8	Фильтр патронный для DC-550 / для DC-750
9	Электромотор 0,55 кВт для DC-550 / 0,75 кВт для DC-750
10	Лопатка вентилятора DC-550/DC-750

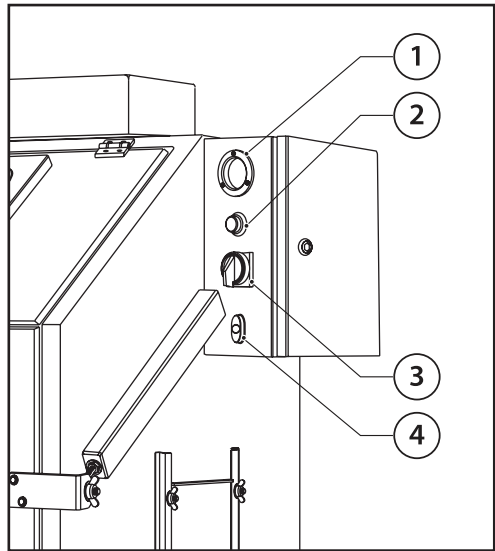


Рис. 2.6. Панель управления

№ поз.	Описание
1	Манометр панельный
2	Регулятор рабочего давления
3	Выключатель ручной кулачковый (рубильник) 0-I
4	Кнопка двойная ВКЛ. / ВЫКЛ.

2.1. Комплект поставки

Табл. 2.1

Код заказа	Модель	Описание, упаковка
10217201	ECO-80P	<p>Абразивоструйная кабина, в целом, включает:</p> <ul style="list-style-type: none">- Корпус кабины- Аппарат абразивоструйный 13 л- Фильтр-камера DC-370 (см. табл. 2.2) <p>Стандартная поставка:</p> <ul style="list-style-type: none">- RGS перчатки 600 мм для пескоструйной обработки с внутренней подкладкой из ткани- Рукав абразивоструйный 13 x 27 мм / Соплодержатель- NTC-5.0 сопло из карбида вольфрама- FSV-0 дозатор абразива- Фильтр основной линии с тонкостью фильтрации 5 мкм- Регулятор рабочего давления- Пневматические концевые выключатели- Фильтр-камера с фильтр-патроном и функцией ручной очистки- Электрическое подключение 0,50 кВт, 380 В, 3 фазы, 50 Гц <p>Размер рабочей камеры (Ш x Г x В), мм 750 x 520 x 660 Масса, 139 кг Шумовое давление, 80 .. 120 дБ Масса детали, макс 350 кг</p>
10217202	ECO-100P	<p>Абразивоструйная кабина, в целом, включает:</p> <ul style="list-style-type: none">- Корпус кабины- Аппарат абразивоструйный 13 л- Фильтр-камера DC-370 (см. табл. 2.2) <p>Стандартная поставка:</p> <ul style="list-style-type: none">- RGS перчатки 600 мм для пескоструйной обработки с внутренней подкладкой из ткани- Рукав абразивоструйный 13 x 27 мм / Соплодержатель- NTC-5.0 сопло из карбида вольфрама- FSV-0 дозатор абразива- Фильтр основной линии с тонкостью фильтрации 5 мкм- Регулятор рабочего давления- Пневматические концевые выключатели- Фильтр-камера с фильтр-патроном и функцией ручной очистки- Электрическое подключение 0,50 кВт, 380 В, 3 фазы, 50 Гц <p>Размер рабочей камеры (Ш x Г x В), мм 950 x 720 x 760 Масса, 246 кг Шумовое давление, 80 .. 120 дБ Масса детали, макс 350 кг</p>

Код заказа	Модель	Описание, упаковка
10217203	ECO-120P	<p>Абразивоструйная кабина, в целом, включает:</p> <ul style="list-style-type: none"> - Корпус кабины - Аппарат абразивоструйный 13 л - Фильтр-камера DC-370 (см. табл. 2.2) <p>Стандартная поставка:</p> <ul style="list-style-type: none"> - RGS перчатки 600 мм для пескоструйной обработки с внутренней подкладкой из ткани - Рукав абразивоструйный 13 x 27 мм / Соплодержатель - NTC-5.0 сопло из карбида вольфрама - FSV-0 дозатор абразива - Фильтр основной линии с тонкостью фильтрации 5 мкм - Регулятор рабочего давления - Пневматические концевые выключатели - Фильтр-камера с фильтр-патроном и функцией ручной очистки - Электрическое подключение 0,50 кВт, 380 В, 3 фазы, 50 Гц <p>Размер рабочей камеры (Ш x Г x В), мм 1150 x 920 x 860 Масса, 274 кг Шумовое давление, 80 .. 120 дБ Масса детали, макс 350 кг</p>
10217204	ECO-140P	<p>Абразивоструйная кабина, в целом, включает:</p> <ul style="list-style-type: none"> - Корпус кабины - Аппарат абразивоструйный 13 л - Фильтр-камера DC-370 (см. табл. 2.2) <p>Стандартная поставка:</p> <ul style="list-style-type: none"> - RGS перчатки 600 мм для пескоструйной обработки с внутренней подкладкой из ткани - Рукав абразивоструйный 13 x 27 мм / Соплодержатель - NTC-5.0 сопло из карбида вольфрама - FSV-0 дозатор абразива - Фильтр основной линии с тонкостью фильтрации 5 мкм - Регулятор рабочего давления - Пневматические концевые выключатели - Фильтр-камера с фильтр-патроном и функцией ручной очистки - Электрическое подключение 0,50 кВт, 380 В, 3 фазы, 50 Гц <p>Размер рабочей камеры (Ш x Г x В), мм 1350 x 1120 x 960 Масса, 309 кг Шумовое давление, 80 .. 120 дБ Масса детали, макс 350 кг</p>

Код заказа	Модель	Описание, упаковка
10217211	ECO-80PF	<p>Абразивоструйная кабина, в целом, включает:</p> <ul style="list-style-type: none"> - Корпус кабины - Аппарат абразивоструйный 13 л - Фильтр-камера DC-370 (см. табл. 2.2) <p>Стандартная поставка:</p> <ul style="list-style-type: none"> - RGS перчатки 600 мм для пескоструйной обработки с внутренней подкладкой из ткани - Рукав абразивоструйный 13 x 27 мм / Соплодержатель - NTC-5.0 сопло из карбида вольфрама - FSV-0 дозатор абразива - Фильтр основной линии с тонкостью фильтрации 5 мкм - Регулятор рабочего давления - Пневматические концевые выключатели <p>Фильтр-камера с фильтр-патроном и функцией импульсной очистки</p> <ul style="list-style-type: none"> - Электрическое подключение 0,50 кВт, 380 В, 3 фазы, 50 Гц <p>Размер рабочей камеры (Ш x Г x В), мм 750 x 520 x 660 Масса, 139 кг Шумовое давление, 80 .. 120 дБ Масса детали, макс 350 кг</p>
10217212	ECO-100PF	<p>Абразивоструйная кабина, в целом, включает:</p> <ul style="list-style-type: none"> - Корпус кабины - Аппарат абразивоструйный 13 л - Фильтр-камера DC-370 (см. табл. 2.2) <p>Стандартная поставка:</p> <ul style="list-style-type: none"> - RGS перчатки 600 мм для пескоструйной обработки с внутренней подкладкой из ткани - Рукав абразивоструйный 13 x 27 мм / Соплодержатель - NTC-5.0 сопло из карбида вольфрама - FSV-0 дозатор абразива - Фильтр основной линии с тонкостью фильтрации 5 мкм - Регулятор рабочего давления - Пневматические концевые выключатели <p>Фильтр-камера с фильтр-патроном и функцией импульсной очистки</p> <ul style="list-style-type: none"> - Электрическое подключение 0,50 кВт, 380 В, 3 фазы, 50 Гц <p>Размер рабочей камеры (Ш x Г x В), мм 950 x 720 x 760 Масса, 246 кг Шумовое давление, 80 .. 120 дБ Масса детали, макс 350 кг</p>

Код заказа	Модель	Описание, упаковка
10217213	ECO-120PF	<p>Абразивоструйная кабина, в целом, включает:</p> <ul style="list-style-type: none"> - Корпус кабины - Аппарат абразивоструйный 13 л - Фильтр-камера DC-370 (см. табл. 2.2) <p>Стандартная поставка:</p> <ul style="list-style-type: none"> - RGS перчатки 600 мм для пескоструйной обработки с внутренней подкладкой из ткани - Рукав абразивоструйный 13 x 27 мм / Соплодержатель - NTC-5.0 сопло из карбида вольфрама - FSV-0 дозатор абразива - Фильтр основной линии с тонкостью фильтрации 5 мкм - Регулятор рабочего давления - Пневматические концевые выключатели <p>Фильтр-камера с фильтр-патроном и функцией импульсной очистки</p> <ul style="list-style-type: none"> - Электрическое подключение 0,50 кВт, 380 В, 3 фазы, 50 Гц <p>Размер рабочей камеры (Ш x Г x В), мм 1150 x 920 x 860 Масса, 274 кг Шумовое давление, 80 .. 120 дБ Масса детали, макс 350 кг</p>
10217214	ECO-140PF	<p>Абразивоструйная кабина, в целом, включает:</p> <ul style="list-style-type: none"> - Корпус кабины - Аппарат абразивоструйный 13 л - Фильтр-камера DC-370 (см. табл. 2.2) <p>Стандартная поставка:</p> <ul style="list-style-type: none"> - RGS перчатки 600 мм для пескоструйной обработки с внутренней подкладкой из ткани - Рукав абразивоструйный 13 x 27 мм / Соплодержатель - NTC-5.0 сопло из карбида вольфрама - FSV-0 дозатор абразива - Фильтр основной линии с тонкостью фильтрации 5 мкм - Регулятор рабочего давления - Пневматические концевые выключатели <p>Фильтр-камера с фильтр-патроном и функцией импульсной очистки</p> <ul style="list-style-type: none"> - Электрическое подключение 0,50 кВт, 380 В, 3 фазы, 50 Гц <p>Размер рабочей камеры (Ш x Г x В), мм 1350 x 1120 x 960 Масса, 309 кг Шумовое давление, 80 .. 120 дБ Масса детали, макс 350 кг</p>

Код заказа	Модель	Описание, упаковка
10217221	ECO-80PL	<p>Абразивоструйная кабина, в целом, включает:</p> <ul style="list-style-type: none"> - Корпус кабины - Аппарат абразивоструйный 13 л - Фильтр-камера DC-550 (см. табл. 2.2) <p>Стандартная поставка:</p> <ul style="list-style-type: none"> - RGS перчатки 600 мм для пескоструйной обработки с внутренней подкладкой из ткани - Рукав абразивоструйный 13 x 27 мм / Соплодержатель - NTC-5.0 сопло из карбида вольфрама - FSV-0 дозатор абразива - Фильтр основной линии с тонкостью фильтрации 5 мкм - Регулятор рабочего давления - Пневматические концевые выключатели <p>Фильтр-камера с фильтр-патроном и функцией импульсной очистки</p> <ul style="list-style-type: none"> - Электрическое подключение 0,70 кВт, 380 В, 3 фазы, 50 Гц <p>Размер рабочей камеры (Ш x Г x В), мм 750 x 520 x 660 Масса, 139 кг Шумовое давление, 80 .. 120 дБ Масса детали, макс 350 кг</p>
10217222	ECO-100PL	<p>Абразивоструйная кабина, в целом, включает:</p> <ul style="list-style-type: none"> - Корпус кабины - Аппарат абразивоструйный 13 л - Фильтр-камера DC-550 (см. табл. 2.2) <p>Стандартная поставка:</p> <ul style="list-style-type: none"> - RGS перчатки 600 мм для пескоструйной обработки с внутренней подкладкой из ткани - Рукав абразивоструйный 13 x 27 мм / Соплодержатель - NTC-5.0 сопло из карбида вольфрама - FSV-0 дозатор абразива - Фильтр основной линии с тонкостью фильтрации 5 мкм - Регулятор рабочего давления - Пневматические концевые выключатели <p>Фильтр-камера с фильтр-патроном и функцией импульсной очистки</p> <ul style="list-style-type: none"> - Электрическое подключение 0,70 кВт, 380 В, 3 фазы, 50 Гц <p>Размер рабочей камеры (Ш x Г x В), мм 950 x 720 x 760 Масса, 246 кг Шумовое давление, 80 .. 120 дБ Масса детали, макс 350 кг</p>

Код заказа	Модель	Описание, упаковка
10217223	ECO-120PL	<p>Абразивоструйная кабина, в целом, включает:</p> <ul style="list-style-type: none"> - Корпус кабины - Аппарат абразивоструйный 13 л - Фильтр-камера DC-750 (см. табл. 2.2) <p>Стандартная поставка:</p> <ul style="list-style-type: none"> - RGS перчатки 600 мм для пескоструйной обработки с внутренней подкладкой из ткани - Рукав абразивоструйный 13 x 27 мм / Соплодержатель - NTC-5.0 сопло из карбида вольфрама - FSV-0 дозатор абразива - Фильтр основной линии с тонкостью фильтрации 5 мкм - Регулятор рабочего давления - Пневматические концевые выключатели <p>Фильтр-камера с фильтр-патроном и функцией импульсной очистки</p> <ul style="list-style-type: none"> - Электрическое подключение 0,90 кВт, 380 В, 3 фазы, 50 Гц <p>Размер рабочей камеры (Ш x Г x В), мм 1150 x 920 x 860 Масса, 274 кг Шумовое давление, 80 .. 120 дБ Масса детали, макс 350 кг</p>
10217224	ECO-140PL	<p>Абразивоструйная кабина, в целом, включает:</p> <ul style="list-style-type: none"> - Корпус кабины - Аппарат абразивоструйный 13 л - Фильтр-камера DC-750 (см. табл. 2.2) <p>Стандартная поставка:</p> <ul style="list-style-type: none"> - RGS перчатки 600 мм для пескоструйной обработки с внутренней подкладкой из ткани - Рукав абразивоструйный 13 x 27 мм / Соплодержатель - NTC-5.0 сопло из карбида вольфрама - FSV-0 дозатор абразива - Фильтр основной линии с тонкостью фильтрации 5 мкм - Регулятор рабочего давления - Пневматические концевые выключатели <p>Фильтр-камера с фильтр-патроном и функцией импульсной очистки</p> <ul style="list-style-type: none"> - Электрическое подключение 0,90 кВт, 380 В, 3 фазы, 50 Гц <p>Размер рабочей камеры (Ш x Г x В), мм 1350 x 1120 x 960 Масса, 309 кг Шумовое давление, 80 .. 120 дБ Масса детали, макс 350 кг</p>

Табл. 2.2

	Материал фильтра	Площадь фильтра, м ²	Мощность вентилятора, кВт	Производительность вентилятора, м ³ /ч	Давление, Па
DC-370	полиэстер	2,7	0,37	800	1075
DC-550	полиэстер	7,5	0,55	870	1310
DC-750	полиэстер	11,0	0,75	900	1470

3. Общие сведения

3.1. Общие сведения

Абразивоструйная кабина Контракор обеспечивает условия для эффективной абразивоструйной обработки при поддержании чистоты окружающей рабочей зоны.

Производительность абразивоструйных кабин зависит от размера сопла, мощности компрессора, рабочего давления, типа и размера абразива и расстояния от сопла до очищаемой поверхности. Абразивоструйные кабины напорного типа включают три модуля:

1. Прочный корпус кабины, сваренный из стали.
2. Абразивоструйный аппарат ёмкостью 13 литров, оснащён дозатором SGV.
3. Фильтр-камеру с высокоэффективным вентилятором, со сменным фильтр-патроном и импульсной очисткой (опция для спец. моделей:

ECO-80PF/100PF//120PF/140PF/ ECO-80PL/100PL//120PL/140PL).

3.2. Принцип действия

При включенной подаче воздуха и закрытых дверях абразивоструйной кабины процесс очистки может быть запущен нажатием педали. При нажатии на педаль абразивоструйный аппарат герметизируется и абразивовоздушная смесь поступает по рукаву к соплу.

После соударения с очищаемой поверхностью абразив, вместе с мелкими частицами с этой поверхности, пылью и другими побочными продуктами, образующимися при абразивоструйной обработке, падают через сито в бункер кабины.

При отжатии педали абразивоструйный аппарат прекращает работу и разгерметизируется. Скопившийся в регенераторе абразив засыпается внутрь аппарата.

Фильтр патрон очищается путем отпирания крана для подачи воздуха в обратном направлении на высокой скорости. Обратный направленный воздух отрывает пыль накопившуюся на поверхности фильтр-патрона. Частицы пыли отделяются от фильтр-патрона и падают в пылесборник для последующей утилизации.

Автоматическая импульсная очистка, устанавливаемая на спец. Модели, позволяет очищать фильтр-патрон автоматически за счет установленного таймера и автоматического пневмоклапана.

3.3. Диаметр форсунок и сопел, необходимый объем сжатого воздуха

Абразивоструйный аппарат произведен в соответствии с европейским стандартом CE, о чем говорит нанесенное обозначение. Требование CE гарантирует определенные характеристики которые требуются в некоторых странах.



ВНИМАНИЕ!

Высокое давление может привести к разрушению бака пескоструйного аппарата. Для избежания аварийных ситуаций могущих повлечь за собой серьёзные или фатальные травмы, не превышайте указанное на баке аппарата максимальное рабочее давление.

Когда к кабине подведен сжатый воздух и двери закрыты, возможно включение системы педалью. При нажатии на педаль происходит открытие нормальнозакрытого впускного клапана и закрытие нормальнооткрытого выпускного клапана. Поступающий воздух герметизирует абразивоструйный аппарат и начинается процесс очистки. При отжатии педали очистка прекращается и происходит разгрузка абразивоструйного аппарата.

В стандартной комплектации поставляется сопло из карбида вольфрама с диаметром отверстия 8 мм. Сопла диаметром 5,0 и 6,0 мм можно заказать отдельно.

3.4. Абразив

В кабинах компании Контракор используются наиболее распространенные абразивы, 180 меш и грубее, специально выпускаемые для сухой абразивоструйной обработки.

Используемый размер абразива (меш) и размер сопла должны обеспечивать равномерное истечение абразива. При низком рабочем давлении воздуха необходимо использовать мелкий абразив и сопло маленького диаметра.

Стальной абразив: Стальная крошка или дробь могут быть использованы в кабинах ECO-80P-ECO-140P фракцией не более 0,7 мм. Для защиты стенок кабины от быстрого износа должен применяться комплект для облицовки резиновый защитный.

Песок и шлак: Недопустимо использовать песок, так как он образует крайне легкий диоксид кремния и поэтому опасен для органов дыхания.



ВНИМАНИЕ!

Абразивная обработка песком, содержащим кварц, может вызвать серьезные или фатальные респираторные заболевания.

Оксид алюминия, двуокись кремния и гранит: Подобные агрессивные материалы могут применяться, но следует учитывать ускоренный износ всех деталей кабины, регенератора, сопла и шлангов, находящихся в контакте с таким материалом.

В случае применения агрессивного абразива необходимо использовать сопло из карбида вольфрама.

Стеклопудра: Дробь обычно обработана для обеспечения беспрепятственной эксплуатации даже при сравнительно высокой влажности. Стеклопудра, подвергшаяся действию избытка влаги, может быть многократно использована после тщательной сушки и полного разрушения образовавшихся комков.

3.5. Качество сжатого воздуха

Воздушный фильтр и на входе воздуха удаляет сконденсированную влагу из сжатого воздуха. Его применение особенно важно в зонах высокой влажности или при использовании мелкого абразива. Влага вызывает образование комков абразива и препятствует свободному истечению через дозатор. При появлении проблемы наличия влаги может потребоваться устройство осушения воздуха.

3.6. Требования к сжатому воздуху

Производительность компрессора под абразивоструйную кабину подбирается исходя из размера применяемого абразивоструйного сопла.

ПРИМЕЧАНИЕ: Указанная в таблице производительность не учитывает потребление воздуха на очистку фильтратрона и другие расходы. Это необходимо учесть суммируя потребление воздуха системой. В таблице указан расход воздуха при новом сопле, в изношенном сопле фактический расход воздуха может быть на 70-80% больше.

Табл. 3.2 Требуемый объем сжатого воздуха

Ø абразиво- струйного сопла (мм)	ТРЕБУЕМЫЙ ОБЪЕМ ВОЗДУХА (м³/мин.) при рабочем давлении, бар			
	3	4	5	6
5,0	0,7	0,8	0,9	1,0
6,5	1,3	1,5	1,7	1,9
8,0	2,0	2,5	2,0	3,3

4. Наладка, эксплуатация и остановка

4.1. Установка и наладка

4.1.1 Место установки

Следует выбрать место установки, в котором имеется сжатый воздух, вода и электропитание. Следует обеспечить свободный доступ ко всем дверям и зонам обслуживания, а также удобство работы с крупными деталями.

4.1.2 Линия подачи сжатого воздуха

Подсоединить входной патрубок кабины к магистрали сжатого воздуха рукавом с минимальным внутренним диаметром I.D. = 1/2". Для подсоединения следует использовать гибкий шланг с тем же минимальным внутренним диаметром, что и воздушная магистраль. Применение воздушной магистрали или шланга меньшего диаметра может снизить эффективность очистки.



ВНИМАНИЕ!

Необходимо убедиться, что вся трубопроводная арматура и крепеж шлангов плотно закреплены перед использованием пескоструйной кабины. Отсоединение шланга под давлением может привести к серьезным травмам.

4.1.3 Заземление

Следует заземлить кабину для предотвращения накопления статического электричества. Для заземления необходимо присоединить заземляющий провод к контакту для присоединения заземления слева сзади на нижней части кабины.

4.1.4 Подключение электропитания



ВНИМАНИЕ!

Все работы с электричеством должны выполняться квалифицированным электриком в соответствии с государственными и местными стандартами.

Схема соединений входит в комплект поставки кабины. После подключения необходимо проверить направление вращения двигателя, кратковременно включив и выключив выключатель. Вентилятор двигателя должен вращаться по часовой стрелке, если смотреть на двигатель со стороны крыльчатки принудительного охлаждения.



ВНИМАНИЕ!

Запрещается смотреть в выходное отверстие вытяжного вентилятора регенератора при вращении вытяжного вентилятора. Частицы, вылетающие из вытяжного вентилятора, могут вызвать травму глаз и лица.

4.1.5 Статическое разряжение кабины

Необходимо установить статическое разряжение кабины с учетом размеров кабины и циклона. Для снижения статического разряжения следует дополнительно открыть впускную заслонку, а для увеличения – закрыть.

Необходимо подобрать такое положение заслонки, при котором будет хорошая видимость внутри кабины.

4.1.6 Педаль

Установить педаль на полу перед кабиной для обеспечения удобного доступа. Абразивоструйная кабина предназначена для использования одним оператором. Следует убедиться, что в случае чрезвычайной ситуации можно быстро убрать ногу с педали.

4.2. Операция абразивно-струйной обработки

4.2.1 Загрузка абразива

При выключенной вытяжке добавить сухой абразив в бункер абразивоструйной кабины. Не переполняйте абразивоструйный бункер абразивом, так как это приводит к негерметичному закрытию герметизирующего клапана.

Минимальное количество абразива для засыпки в систему:

- ECO-80P/100P/120P/140P- 20 кг
- ECO-80PF/100PF/120PF/140PF- 20 кг
- ECO-80PL/100PL/120PL/140PL- 20 кг

4.2.2 Выгрузка абразива

Для выгрузки абразива из кабины, установите рабочее давление воздуха на 3 бара.

Установите в рабочую зону пустую емкость. Снимите абразивоструйное сопло. Поместите конец абразивоструйного рукава в емкость, закройте дверь, закройте заслонку (демпфер) и нажмите на педаль.

Абразив должен стечь в емкость. Не допускайте переполнения емкости и не собирайте в емкость очень много абразива, он тяжелый. Тяжелую емкость проблематично извлекать из кабины. За один или несколько приемов выгрузите весь абразив.

Полностью откройте заслонку (демпфер). Проведите осмотр состояния резьбы соплодержателя и абразивоструйного сопла. В случае сильного износа замените деталь. При отсутствии износа прикрутите абразивоструйное сопло.

4.2.3 Загрузка и выгрузка деталей

Детали загружаются через переднюю дверь. Проем двери позволяет производить загрузку при помощи крана и других погрузочных механизмов. Очищаемые детали должны быть обезжиренными и сухими.

Закрыв дверь убедитесь в ее плотном прилегании к корпусу кабины. Система блокировки не позволит включить кабину, если дверь плотно не закрыта.

4.2.4 Операция абразивно-струйной обработки



ВНИМАНИЕ!

Перед очисткой необходимо закрыть дверь кабины, регенератора и пылесборника. Во время обработки все двери должны быть закрыты.

Необходимо постоянно использовать перчатки для абразивоструйной обработки.

Не следует направлять абразивоструйное сопло на смотровое окно.

Перед открыванием дверей с помощью обдувочного сопла следует сдуть абразив с очищаемых деталей.

После абразивоструйной обработки двери следует держать закрытыми, а вытяжной вентилятор включенным до тех пор, пока кабина полностью не очистится от пыли, находящейся в воздухе.

При обнаружении утечек пыли необходимо немедленно прекратить очистку.

Включить подачу сжатого воздуха в абразивоструйную кабину. На начальном этапе убедиться в отсутствии утечек воздуха.

Установить регулятор импульсного давления на 4,5 бар.

Установить переключатель включения/выключения в положение "I" для включения освещения и импульсной очистки фильтра.

Нажать кнопку ON (ВКЛ.) для включения вытяжного вентилятора.

Наденьте резиновые перчатки на руки и просуньте руки в соответствующие отверстия. Плотно держа абразивоструйное сопло, нажать на педаль. Начнется процесс очистки.

Отрегулировать давление очистки, используя регулятор, расположенный на панели управления. Индикатор давления на панели управления указывает фактическое значение давления очистки.

Наиболее эффективна обработка плавными непрерывными проходами. Расстояние от детали влияет на ширину полосы, охватываемую струей. Обычно сопло располагают на расстоянии приблизительно 70 - 150 мм от поверхности детали.



ВНИМАНИЕ!

Если из пылесборника выходит пыль, необходимо немедленно отключить кабину. Следует убедиться в том, что фильтры правильно установлены, не изношены и не повреждены. Продолжительное вдыхание любой пыли может привести к серьезному легочному заболеванию или летальному исходу. Непродолжительное глотание токсичной пыли, например, свинцовой, создает непосредственную угрозу здоровью. Токсичность и риск для здоровья зависят от пыли, возникающей при абразивоструйной очистке. Необходимо определить все вещества, удаляемые абразивоструйной очисткой и получить сертификат безопасности для абразива.

При работе абразивоструйной кабины необходимо регулярно производить очистку фильтр-патрона. Для этого подается сжатый воздух на внутреннюю поверхность фильтр-патрона. Это заставляет скопившуюся пыль ссыпаться в емкость для ее сбора. Длительность подачи сжатого воздуха – 1 или 2 секунды.

При наличии системы импульсной очистки фильтр-патрона по времени, заданному таймером, происходит подача сжатого воздуха на внутреннюю поверхность фильтр-патрона. Длительность подачи сжатого воздуха также регулируется при помощи таймера.

4.2.5 Приостановка операции струйной обработки и остановка.

Для прекращения абразивоструйной очистки следует отпустить педаль.

Для удаления абразива с очищенных деталей следует использовать обдувочное сопло. Перед открыванием двери и выгрузкой деталей следует дождаться очистки кабины от пыли, находящейся в воздухе.

Нажать кнопку OFF (ВЫКЛ.) для выключения вытяжного вентилятора.

Установить переключатель включения/выключения в положение “0” для выключения освещения и импульсной очистки фильтра. Отключить подачу сжатого воздуха в абразивоструйную кабину и опорожнить пылесборники.

4.3. Регулировка

4.3.1 Давление очистки

Регулятор давления, расположенный на панели управления кабины, позволяет пользователю регулировать давление абразиво-воздушной смеси в зависимости от условий работы.

Давление, подходящее для большинства случаев, составляет 5-6 бар. Более низкое давление может потребоваться для очистки хрупких или мягких, тонкостенных предметов или уменьшения разрушения абразива. Более высокое давление может потребоваться для удаления крепкодержащихся загрязнений, но оно повышает разрушение абразива.

Во всех случаях максимальная производительность достигается только при тщательном контроле давления.

Отрегулировать давление воздуха, поворачивая ручку регулятора, расположенную спереди на панели управления. Вытянуть ручку и повернуть по часовой стрелке для увеличения давления или против часовой стрелки для снижения давления. После задания рабочего давления, вдавить ручку для блокировки.

4.3.2 Изменение количества абразива подаваемого к соплу

Количество подаваемого к соплу абразива регулируется дозатором расположенным в нижней части абразивоструйного аппарата. Закройте подачу абразива, вращая вентиль регулировки по часовой стрелке до упора. Произведите запуск на кабины на 30 секунд, для продувки рабочей линии. Регулируйте количество подаваемого абразива путем поворачивания вентиля против часовой стрелки, на $\frac{1}{2}$ оборота и пробных пусков кабины до появления стабильного насыщенного абразивом факела. Производите регулировку при смене, износе или добавлении абразива..

4.3.3 Статическое разряжение кабины

После первоначальной регулировки в соответствии с разделом 4.1.5 статическое разряжение кабины редко требует повторной регулировки. Первоначальная регулировка обеспечивает приблизительно 50 - 75% статического разряжения в корпусе кабины. Для регулировки открыть на фильтр-камере заслонку сильнее, чтобы уменьшить статическое разряжение, или сильнее закрыть, чтобы увеличить разряжения.

Перчатки можно использовать как индикатор необходимого статистического разряжения кабины. При включенном вытяжном вентиляторе перчатки должны быть надуты, но не подняты над решеткой.

4.3.4 Пневматические концевые выключатели

Пневматические концевые выключатели отключают схему управления абразивоструйной очисткой, если дверь открыта. Концевой выключатель расположен справа на певмоподъемнике двери. Для выполнения абразивоструйной очистки выключатель должен быть включен. Пневматические концевые выключатели настроены на заводе-изготовителе и обычно не требуют регулировки на месте эксплуатации кабины, за исключением случаев замены деталей.



ВНИМАНИЕ!

Категорически запрещается препятствовать работе системы блокировки. Невыполнение этого требования может привести к травме в результате неожиданного включения струи абразива.

Проверить работоспособность при открытой и закрытой двери. При проверке сопло направлять от двери, открывать дверь не больше, чем требуется для отключения концевого выключателя. Блокировки должны прекращать абразивоструйную очистку при открывании дверей и начинать ее выполнение при закрытых дверях.

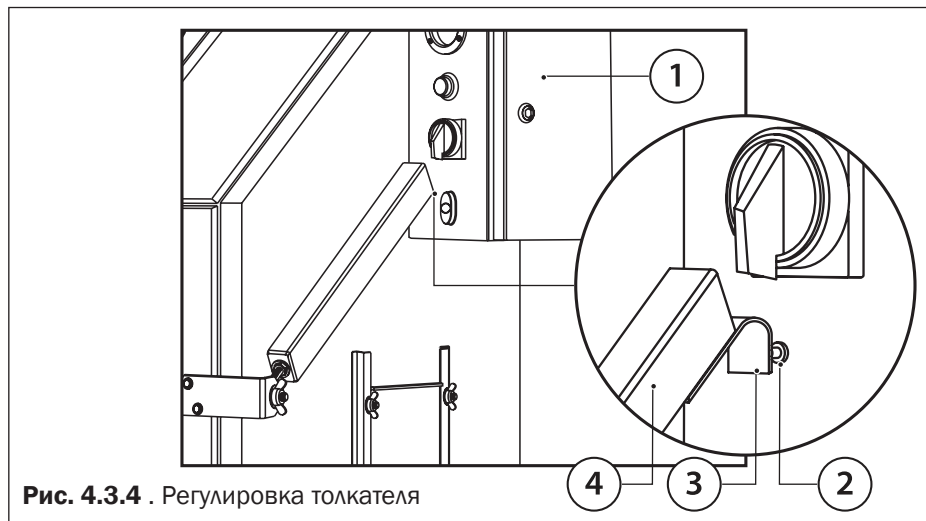


Рис. 4.3.4 . Регулировка толкателя

ПРИМЕЧАНИЕ! Разряженное давление в кабине может вызвать деформацию двери вовнутрь. Следует выполнять проверки при включенном вытяжном вентиляторе. При необходимости отрегулируйте разряжение внутри кабины.

4.3.5 Давление импульса очистки фильтр-патрона (опционально)

Отрегулировать давление импульса, используя регулятор, установленный на импульсном коллекторе. Стандартное давление импульсной очистки 4 - 5 бар.

Если пульсация недостаточно очищает фильтр-патрон, увеличивать давление импульса интервалами по 0,5 бар до максимального значения 6,0 бар. Увеличение давления импульса более 6,0 бар может вызвать повреждение корпуса фильтра и самого фильтра.

Если после увеличения давления, осадок пыли на фильтр-патроне увеличиваются, следует отрегулировать цикличность импульсов.

4.3.6 Таймер

Отрегулировать длительность импульса и цикличность на таймере (расположение см. на рис. 6). Для регулировки длительности импульсов следует использовать левую шкалу, а для регулировки интервала между импульсами правую шкалу. Регулировку необходимо начинать в следующей последовательности:

Длительность импульсов

левая шкала - 60 мс (давление импульса 4,5 бар)

Интервал между импульсами

правая шкала - 5 мин.

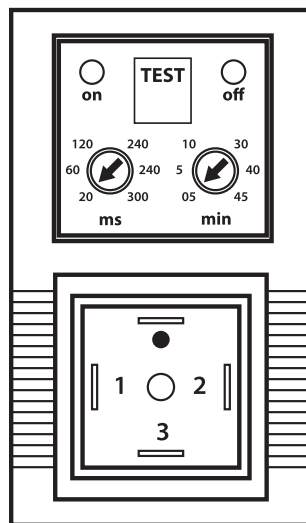


Рис. 4.3.6. Регулировка длительности импульса и цикличность на таймере

5. Техническое обслуживание

5.1. Профилактическое обслуживание.

5.1.1 SGV дозирующий вентиль

SGV Дозирующий вентиль должен регулярно осматриваться на предмет износа. Для увеличения срока службы и предотвращения преждевременного выхода из строя вентиля, необходимо своевременно заменять резиновую втулку.

5.1.2 Пылесборник

Необходимо регулярно опорожнять пылесборник. Сначала следует проверять пылесборник не реже одного раза в день или при добавлении абразива, затем следует определить частоту проверок, учитывая интенсивность эксплуатации, загрязненность и стираемость абразива.

5.1.3 Фильтр воздушной магистрали

Кабина оборудована ручным сливом конденсата из фильтра воздушной магистрали. Сливать конденсат следует, по крайней мере, один раз в день (при необходимости чаще) или если на выходе сопла становится заметен водяной туман. Влажный воздух мешает потоку абразива. Если удалить влагу не удастся, может потребоваться устройство осушения воздуха с охлаждением.

5.1.4. Абразивоструйный рукав и соединения

Проверяйте абразивоструйный рукав на наличие изношенных участков, особое внимание уделяйте наружным участкам на изгибах, это позволит избежать непредвиденных перерывов в работе. Не забывайте следить за состоянием соединений и соплодержателей.

5.2. Сервисное обслуживание

5.2.1 Перчатки

Для удобства работы оператора предусмотрены специальные перчатки, обеспечивающие удаление статического электричества. Эти перчатки необходимо периодически заменять по мере износа. Первым признаком износа перчаток могут служить чрезмерные удары статическим электричеством.

5.2.2 Сопло

Следует заменять сопло, если его диаметр увеличился максимум на 2 мм или раньше, если рабочее давление заметно уменьшилось.

5.2.3 Замена внутреннего стекла

Стекло внутреннего окна уложено на уплотнитель, смонтированный в паз двери. Для замены стекла окрутите четыре винта, удерживающие раму смотрового окна. Снимите раму, затем поменяйте внутреннее стекло. Внутреннее стекло вырезается из стандартного стекла толщиной 4 мм. Проверьте уплотнитель на двери кабины и раме, при наличии повреждений замените их в соответствии с пунктом 5.2.5.

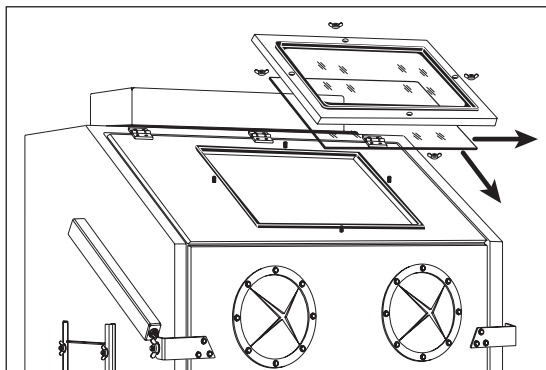


Рис. 5.2.3. Замена внутреннего стекла

5.2.4 Замена смотрового стекла



ВНИМАНИЕ!

Запрещается использовать для замены смотровых окон листовое стекло. Оно может разбиться при ударе и причинить серьезную травму. Следует использовать только многослойное безопасное стекло, одобренное изготовителем.

Смотровое стекло установлено в раму, прикрепленную к двери кабины четырьмя винтами. Чтобы заменить смотровое стекло открутите четыре крепежных винта и освободите оконную раму. Проверьте уплотнитель на двери кабины и раме, при наличии повреждений замените их в соответствии с пунктом 5.2.5.

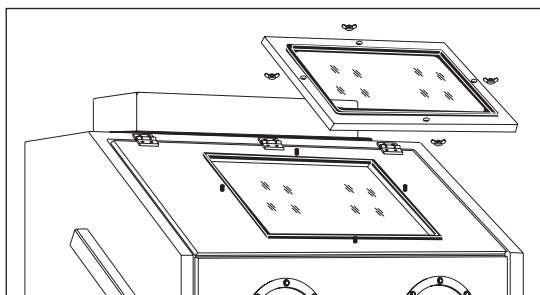
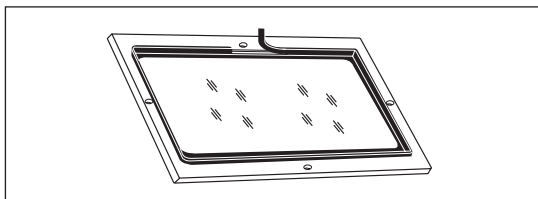


Рис. 5.2.4.1. Снятие окна

Выньте старое стекло выдавив его из рамы.

Рис. 5.2.4.1. Замена внешнего стекла

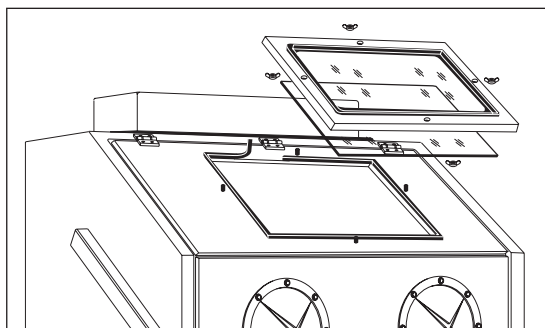


Вставить профиль окна в оконный проем, устанавливая его узкой щелью на металлическую кромку проема. Концы профиля должны соединяться в середине прямой части проема. Профиль необходимо сжать, чтобы его концы оказались плотно соединены. Работая спереди, установить смотровое окно в широкую щель профиля.

5.2.5 Замена прокладки окна

При первых признаках утечки абразивной пыли вокруг смотрового окна или если видны повреждения прокладок, необходимо заменять прокладку рамы окна и прокладку проема окна кабины.

Рис. 5.2.5. Замена прокладки окна



При замене смотрового окна следует проверить прокладки. Смотровое окно и раму следует заменять в соответствии с указаниями в разделе 5.2.4. Полностью удалить материал старой прокладки и очистить поверхность кабины и рамы окна.

Снять защитное покрытие с небольшого участка клейкой основы прокладки толщиной 3 мм и приклеить прокладку к центру верхней кромки оконного проема, как показано на рис. 10. По мере необходимости снимая защитное покрытие с липкой основы, приклеить прокладку по всему периметру окна, включая угловые скругления, плотно прижимая прокладку для качественного склеивания. Обрезать прокладку по месту и сжать концы для герметизации.

5.2.6 Замена картриджа фильтра



ВНИМАНИЕ!

Невыполнение требования о средств индивидуальной защиты при обслуживании запыленных зон кабины и пылесборника, а также при опорожнении пылесборника может привести к серьезному раздражению глаз, заболеваниям легких или смертельному исходу.

Токсичность и риск для здоровья зависят от типа абразива и пыли, возникающей при струйной обработке.

Респиратор должен быть допущен к применению с соответствующим типом возникающей пыли.

Необходимо определить все материалы, удаляемые струйной очисткой и получить сертификат безопасности для абразива.

Закрыть подачу воздуха в кабины и полностью стравить воздух из импульсного коллектора. Открыть замки и снять дверь фильтр-камеры. Открутить гайку крепления фильтр-патрона, снять шайбу и прокладку.

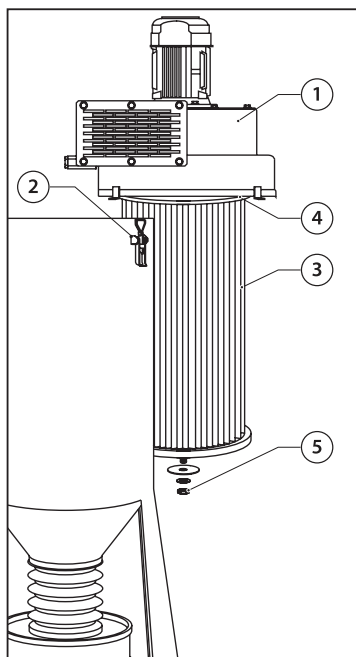
Для удаления фильтр-патрона потянуть его прямо вниз до освобождения удерживающей планки.

Очистить все повторно используемые детали, особенно вокруг зоны герметизации фильтр-патрона. Полностью удалить остатки материала прокладки с уплотняемой поверхности.

Установить новый фильтр-патрон и прокладку. Затягивать гайку крепления до тех пор, пока фильтр-патрон будет невозможно повернуть рукой. Затянуть гайку на один полный оборот дополнительно.

Проверить прокладку дверцы фильтр-камеры, убедиться в ее полной исправности и отсутствии препятствий для ее герметизации. При необходимости заменить прокладку. Установить дверцу фильтр-камеры на место. Выполнить приработку картриджа в соответствии с разделом 5.2.7.

Рис. 5.2.6. Замена фильтр-патрона



5.2.7 Приработка фильтр-патрона

Новый фильтр-патрон должен пройти приработку. Фильтр-патроны прирабатывают, создавая осадок пыли на фильтрующем материале перед началом использования очистки. Эксплуатировать кабину без очистки фильтра необходимо около 2-х часов или до ухудшения видимости в рабочей зоне. Потом необходимо проводить очистку фильтра периодически открывая шаровый кран.

При наличии системы импульсной очистки для начала работы установите регулятор давления очистки на 0 бар. Очистка фильтр-патрона производиться не будет не смотря на срабатывающий таймер. Эксплуатируйте кабину около 2-х часов, после чего установите давление очистки на 4-5 бар.

5.2.8 Замена герметизирующего клапана и седла

Для замены резинового герметизирующего клапана (4) и резинового уплотнителя (5) необходимо отсоединить фланец абразивоструйного бака (3) от фланца кабины (1). Для этого выкрутите болты (10) и осторожно отсоедините бак (2) с фланцем (3) от кабины (1). Проверьте резиновый уплотнитель (5) на износ и повреждения. При необходимости замените его, использовав для демонтажа изношенного уплотнителя плоскую отвёртку. Выкрутите болты (9) и снимите фланец (3) с бака (2). Снимите клапан (4) и шток (7) с патрубком бака (2), затем открутите клапан (4) со штока (7). Накрутите на шток (7) новый клапан (4), соберите и установите бак в обратном порядке, при необходимости заменив прокладки (6) и (8).

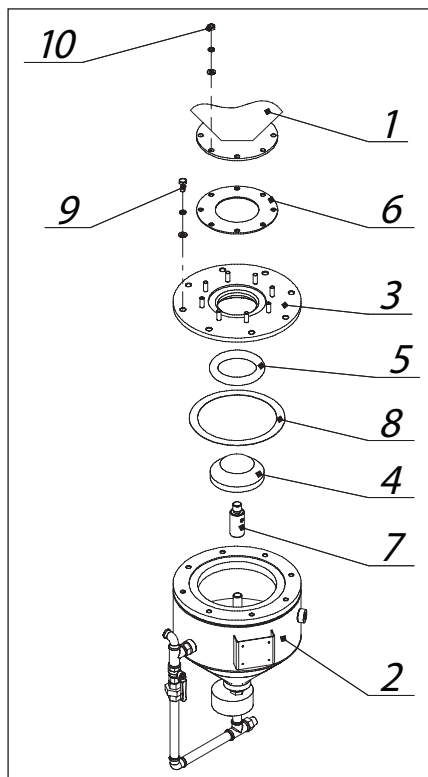


Рис. 5.2.8. Замена герметизирующего клапана и седла

6. Поиск и устранение неисправностей



ВНИМАНИЕ!

Для исключения серьезных травм при поиске и устранении неисправности необходимо соблюдать следующие требования.

- Отключить воздух, заблокировать подачу воздуха и повесить на входной кран табличку.
- Если для проверки органов контроля необходим воздух, необходимо обязательно воспользоваться помощью другого лица для выполнения следующих действий:
 - Надежно удерживать сопло.
 - Нажимать на педаль.
 - Недопустимо ставить перемычку для шунтирования педали, блокировать ее в рабочем положении.
 - Недопустимо отключать систему блокировки дверей или иным способом препятствовать ее работе.

6.1. Плохая видимость

6.1.1 Плохая видимость может быть обусловлена загрязнением фильтр-патрона. Необходимо регулярно опорожнять пылесборник. Необходимо проверять и при необходимости заменять фильтр-патрон. Необходимо следить за очисткой фильтр-патрона (пункт 4.2.4)

6.1.2 Вращение двигателя в обратном направлении. Двигатель должен вращаться в направлении, указанном стрелкой на корпусе. Если двигатель не вращается в нужном направлении, отключить источник электропитания и вывесить на нем табличку, подключить выводы двигателя, как показано на табличке двигателя.

6.1.3 Применение слишком мелкого, изношенного или мягкого абразива, который быстро разрушается, может привести к плохой видимости.

6.1.4 Заслонка впуска слишком сильно закрыта, ограничивая приток воздуха в кабину. Отрегулировать статическое разряжение в соответствии с разделом 4.3.4.

6.2. Чрезмерно высокое потребление абразива

6.2.1 Заслонка впуска открыта слишком сильно. Отрегулировать статическое разряжение в соответствии с указаниями в разделе 4.3.4.

6.2.2 Применение слишком мелкого, изношенного или мягкого абразива, который быстро разрушается.

6.2.3 Слишком высокое для применяемого абразива давление в сопле вызывает разрушение материала.

6.3. Снижение скорости абразивоструйной очистки

6.3.1 Низкий уровень абразива, что приводит к снижению его потока. Проверить уровень абразива и добавить, если он низок.

6.3.2 Неправильная регулировка дозатора абразива. Отрегулировать в соответствии с указаниями в разделе 4.3.3.

6.3.3 Сниженное давление воздуха. Может быть вызвано неисправностью регулятора, загрязненностью фильтр-патрона в фильтр-камере, частично закрытым воздушным клапаном, утечкой воздуховода или других используемых элементов пневматики.

6.3.4 Закупоривание абразивного рукава или сопла. Закупоривание может произойти в результате отсутствия сороудерживающей решетки или неверной регулировкой дозатора абразива, что ведет к слишком сильному потоку абразива. Проверить регулировку дозатора абразива в соответствии с указаниями в разделе 4.3.3.

6.3.5 Износ сопла. Проверить и заменить изношенное сопло.

6.3.6 Износ абразивоструйного рукава. Проверить рукав на отсутствие разрывов и изношенных участков. Заменить в случае износа или повреждения.

6.3.7 Влажный абразив. Множественные комки или закупорка абразива в области дозатора абразива могут быть вызваны влагой. См. раздел 4.3.3.

6.4. Из сопла идет только воздух (абразив не поступает)

6.4.1 Проверьте наличие абразива в камере.

6.4.2 Проверьте не перекрыт ли дозатор. Для этого переведите рычаг влево, нажмите на педаль.

6.4.3 Проверить что дозатор не засорен. Для этого запустите кабину в работу до выхода посторонних предметов из системы. Если положительный результат не достигнут отсоедините дозатор от абразивоструйного аппарата и прочистите его.

6.4.4 Проверьте управляющие блоком запуска/остановки пневмошланги на наличие перегибов или утечек.

6.4.5 Дозатор вышел из строя. Обратитесь к пункту руководства в котором описан процесс ремонта дозатора.

6.5. Ни воздушнопесчаная смесь, ни отдельно воздух не идут из сопла

6.5.1 Сбросьте давление в абразивоструйном аппарате, визуально проверьте что абразивоструйное сопло не забито.

6.5.2 Убедитесь, что после нажатия на медаль абразивоструйный аппарат герметизируется. Если герметизация не происходит, то следуйте согласно пункту 6.8.

6.5.3 Проверьте что дозатор FSV и воздушный клапан открыты.

6.6. Абразивоструйная очистка не останавливается после отпускания педали

6.6.1 Трехпроходной клапан педали должен стравить воздух из управляющей пневмосистемы, когда педаль отпущена. Если этого не происходит проверьте линию и выключатель в педали.

6.7. Абразивоструйный аппарат не герметизируется

6.7.1 Проверьте что от компрессора поступает сжатый воздух и кран на пневмолинии открыт.

6.7.2 Проверьте что редукционный клапан отрегулирован на слишком низкое давление. Минимальное давление 3 бара.

6.7.3 Дверь не включает защитный концевой пневмовыключатель. Отрегулируйте дверь как описано в пункте 4.3.4.

6.7.4 Проверьте диафрагму клапана сброса давления, на наличие износа.

6.7.5 Проверьте ход герметизирующего клапана.

6.7.6 Проверьте на наличие утечек управляющую пневмолинию.

6.7.7 Проверьте трехходовой клапан педали.

6.7.8 Убедитесь, что шланги подходящие к педали не перепутаны. См. схему подключения на рис. 20.

6.8. Не происходит отключение и разгерметизация абразивоструйного аппарата или происходит медленно

6.8.1 Проверьте что трехходовой клапан педали стравливает давление, после отжатия педали. Если этого не происходит замените педаль.

6.8.2 Проверьте выходной рукав, который включает кабину и блокирует.

6.9. Пересыщенная абразивом смесь

6.9.1 Проверьте что на абразивоструйном аппарате открыт воздушный кран.

6.9.2 Дозатор абразива может быть открыт слишком сильно. Следуйте пункту 4.3.2. Если дозатор не осуществляет регулировку количества абразива, опорожните от абразива кабину, сбросьте давление и проведите осмотр внутренних деталей дозатора

6.10. Пульсации абразивовоздушной смеси во время запуска кабины, являются нормальным явлением

6.10.1 Большая подача абразива. Следуйте пункту 6.10

6.10.2 Опорожните от абразива кабину, сбросьте давление и проведите осмотр внутренних деталей дозатора.

6.11. Удары статическим электричеством

6.11.1 Кабина и/или оператор не заземлены. Абразивоструйная обработка вызывает накопление статического электричества. Для предотвращения этого кабина должна быть заземлена. См. раздел 4.1. Если удары повторяются, возможно, статическое электричество накапливается на операторе. Соединить оператора с кабиной коротким заземляющим проводом (таким, как заземляющий браслет/манжета для рук).

6.11.2 Детали должны находиться в контакте с решеткой. Если статическое электричество не рассеивается в металлической кабине, оно накапливается в обрабатываемой детали.

6.12. Утечка пыли из фильтр-камеры

6.12.1 Поврежден или плохо закреплен фильтр-патрон. Проверить фильтр-патрон в фильтр-камере.

6.12.2 Неисправно уплотнение на дверце фильтр-камеры. Проверить уплотнение и при необходимости заменить.

7. Запасные части

7.1. Спецификация кабины

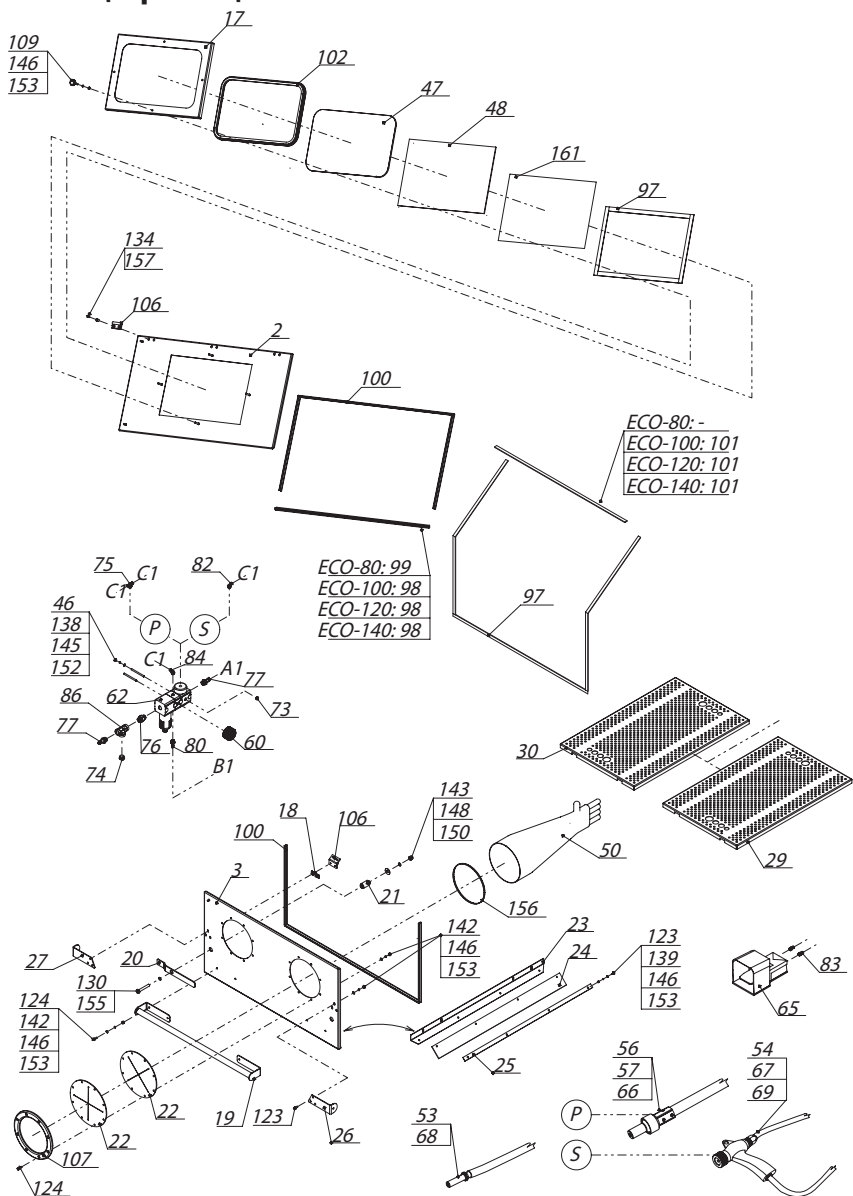
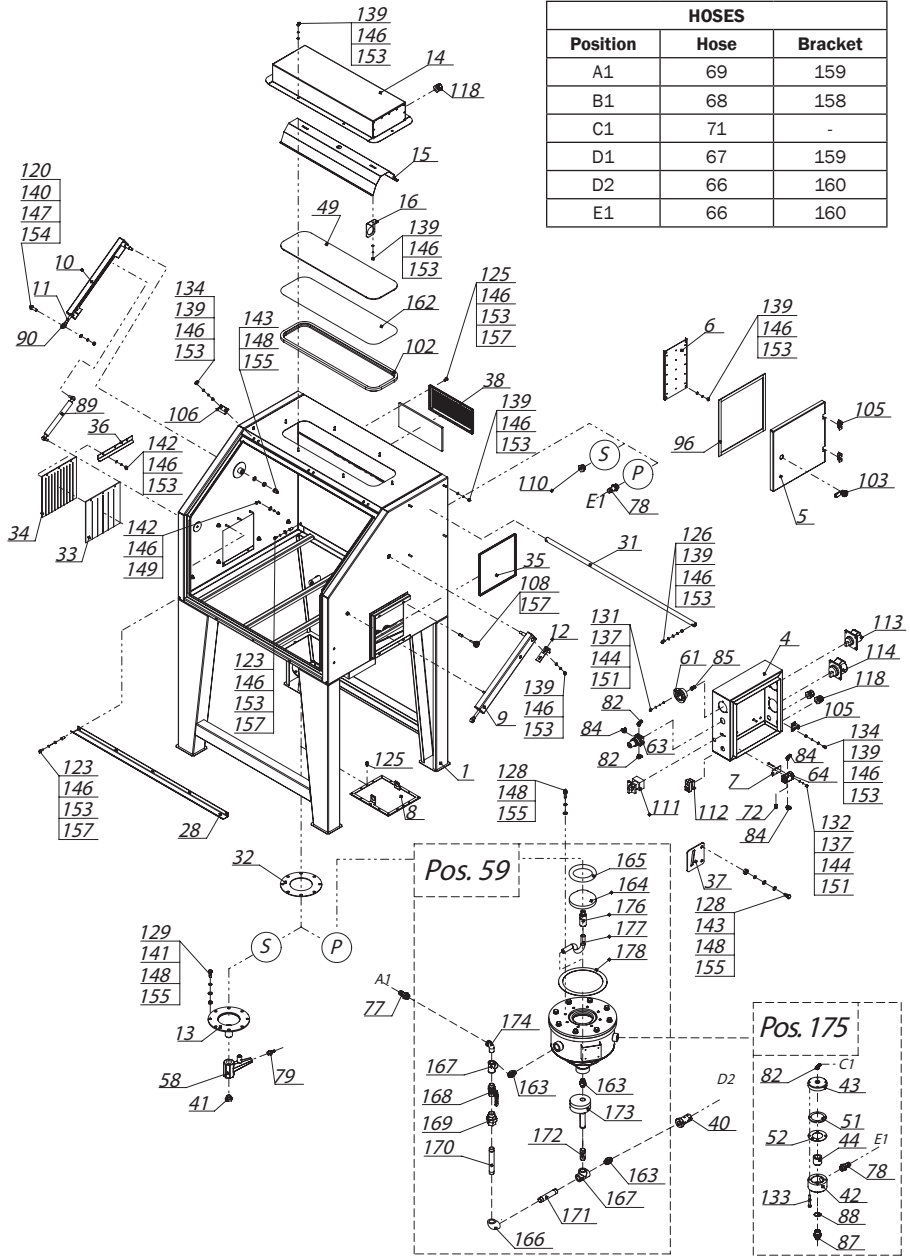


Рис. 7.1.1. Общий вид кабины ECO-80P/100P/120P/140P



№ поз.	Код заказа	Описание	ECO 80P	ECO 100P	ECO 120P	ECO 140P
1	88000003	Кабина	1			
	88000004	Кабина		1		
	88000005	Кабина			1	
	88000006	Кабина				1
2	81100042	Крышка верхняя	1			
	81100044	Крышка верхняя		1		
	81100046	Крышка верхняя			1	
	89500001	Створка				1
3	81100043	Крышка нижняя	1			
	81100045	Крышка нижняя		1		
	81100047	Крышка нижняя			1	
	89500002	Створка				1
4	83400018	Корпус электроящика	1	1	1	1
5	83100040	Дверь электроящика	1	1	1	1
6	86900009	Монтажная плата	1	1	1	1
7	89300001	Проставка пневмоконцевика	1	1	1	1
8	87100011	Фильтр-сетка	1	1	1	1
9	88300004	Штанга правая		1		
	88300007	Штанга правая			1	
	88300010	Штанга правая в сборе				1
10	88300005	Штанга левая		1		
	88300008	Штанга левая			1	
	88300011	Штанга левая в сборе				1
11	89200001	Тяга	2	2	2	2
12	82100004	Упор	1	1	1	1
13	88700002	Конус				
14	83400019	Корпус светильника	1	1	1	1
15	82600003	Отражатель лампы	1	1	1	1
16	80600030	Кронштейн лампы	2	2	2	2
17	83900012	Рамка окна	1	1	1	1
18	85800005	Фиксатор петли	2	4	6	8
19	87500005	Рукоятка крышки нижней	1			
	87500004	Рукоятка крышки нижней		1	1	1
20	87500003	Рукоятка запора	2	2	2	2
21	86000003	Втулка запора	2	2	2	2
22	84000004	Штора	4	4	4	4

№ поз.	Код заказа	Описание	ECO 80P	ECO 100P	ECO 120P	ECO 140P
23	82400041	Планка	1			
	82400025	Планка		1		
	82400026	Планка двери			1	
	82400027	Планка защитная				1
24	82400042	Резина	1			
	82400043	Резина		1		
	82400044	Резина			1	
	82400040	Резина				1
25	81050002	Прижим	1			
	82400038	Планка прижимная		1		
	82400045	Планка прижимная			1	
	82400039	Планка				1
26	80600018	Кронштейн	1			
	80600021	Кронштейн		1		
	80600023	Кронштейн рычага			1	1
27	80600019	Кронштейн	1			
	80600020	Кронштейн		1		
	80600024	Кронштейн рычага			1	1
28	89100001	Желоб	1			
	89100002	Желоб		1		
	89100003	Желоб			1	
	89100004	Желоб				1
29	88800005	Столешница	1			
	88800007	Столешница		1		
	88800009	Столешница			1	
	88800011	Столешница				1
30	88800006	Столешница	1			
	88800008	Столешница		1		
	88800010	Столешница			1	
	88800012	Столешница				1
31	88300003	Штанга	1			
	88300006	Штанга		1		
	88300009	Штанга			1	
	88300012	Штанга				1
32	88500007	Прокладка	1	1	1	1
33	84000005	Штора	2	2	2	2
34	84000006	Штора	2	2	2	2

№ поз.	Код заказа	Описание	ECO 80P	ECO 100P	ECO 120P	ECO 140P
35	88400002	Заслонка боковины	2	2	2	2
36	82600004	Отражатель боковины	2	2	2	2
37	81400014	Пластина с пазом	2	2	2	2
38	89400002	Карман-решетка	1	1	1	1
39	22020001	Ключ	1	1	1	1
40	85800003	Фиксатор шланга	1	1	1	1
41	52030002	Пробка				
42	83400025	Корпус	1	1	1	1
43	81100054	Крышка	1	1	1	1
44	10100001	Седло	1	1	1	1
46	85900002	Шпилька	2	2	2	2
47	22030001	Стекло	1	1	1	1
48	22030002	Стекло	1	1	1	1
49	22030003	Стекло	1	1	1	1
50	10115606	Перчатки	1	1	1	1
51	29000028	Шайба резиновая	1	1	1	1
53	10115901	Пистолет обдувочный	1	1	1	1
54	10115300	Пистолет				
55	10115508	Сопло				
56	10112551	Сопло	1	1	1	1
57	10112209	Соплодержатель	1	1	1	1
58	10115920	Дозатор				
59	22040001	Бак пескоструйный	1	1	1	1
60	51202008	Манометр		1	1	1
61	51202010	Манометр	1	1	1	1
62	51203002	Блок	1	1	1	1
63	51201001	Регулятор	1	1	1	1
64	51203007	Пневмоконцевик	1	1	1	1
65	51203003	Педаль	1	1	1	1
66	10112109	Рукав	3,05	3,05	3,45	4,14
67	41102004	Рукав				
68	10130900	Рукав	1,9	2	2,3	2,8
69	41200001	Рукав	1	1	1,1	1,3
70	41101003	Рукав	2	2	2	2
71	41101001	Рукав	8,4	8,5	8,9	10,7
72	51204001	Глушитель	1	1	1	1
73	51205003	Заглушка	1	1	1	1

№ поз.	Код заказа	Описание	ECO 80P	ECO 100P	ECO 120P	ECO 140P
74	51205006	Заглушка	1	1	1	1
75	51100015	Фитинг	1	1	1	1
76	51400006	Фитинг	1	1	1	1
77	51300002	Фитинг	3	3	3	3
78	85800006	Фиксатор шланга	2	2	2	2
79	51300007	Фитинг				
80	51300008	Фитинг	1	1	1	1
81	51300009	Фитинг	1	1	1	1
82	51100004	Фитинг	3	3	3	3
83	51100003	Фитинг	2	2	2	2
84	51100004	Фитинг	4	4	4	4
85	51100006	Фитинг	1	1	1	1
86	52070001	Фитинг	1	1	1	1
87	51400010	Фитинг	1	1	1	1
88	67000008	Кольцо уплотнительное	1	1	1	1
89	51500002	Пневмопружина	2			
	51500003	Пневмопружина		2		
	51500005	Пневмопружина			2	
	51500010	Пневмопружина				2
90	51500013	Наконечник	2	2	2	2
91	90855146	Резиновый ввод	2	2	2	2
92	90855156	Резиновый ввод				
93	90855166	Резиновый ввод	2	2	2	2
94	90855155	Заглушка	2	2	2	2
95	90855165	Заглушка				
96	90407004	Уплотнитель	3,07	3,07	3,07	3,07
97	90407005	Уплотнитель	2,9	2,7	3,2	3,4
98	90401004	Уплотнитель	0,8	0,9	1,1	1,3
99	90401001	Уплотнитель	2,9	2,1	2,1	2,1
100	90401002	Уплотнитель	2,9	3,5	4,2	4,5
101	90401005	Уплотнитель	0,8	0,9	1,1	1,3
102	90406001	Уплотнитель	3,2	3,2	3,2	3,2
103	90201001	Замок	1	1	1	1
104	90203001	Ключ	1	1	1	1
105	90202003	Петля	2	2	2	2
106	90202006	Петля	4	5	6	8
107	22140005	Фланец	2	2	2	2

№ поз.	Код заказа	Описание	ECO 80P	ECO 100P	ECO 120P	ECO 140P
108	90204004	Ручка	8	8	8	8
109	90204006	Ручка	4	4	4	4
110	52030001	Пробка				
111	32060001	Рубильник	1	1	1	1
112	33070001	Кнопка	1	1	1	1
113	33280003	Розетка	1	1	1	1
114	33280005	Розетка	1	1	1	1
115	33270005	Вилка	1	1	1	1
116	33140003	Лампа	2	2	2	2
117	33140004	Патрон E27	2	2	2	2
118	33030002	Ввод пластиковый	4	4	4	4
119	33030012	Ввод пластиковый	1			
120	61110830	Болт	2	2	2	2
121	61110610	Болт	8	8	8	8
122	61110612	Болт	8	8	8	8
123	61110616	Болт	13	13	13	13
124	61110620	Болт	24	24	30	30
125	61110630	Болт	8	8	8	8
126	61110640	Болт	2	2	2	2
127	61110855	Болт	1	1	1	1
128	61111025	Болт	12	12	12	12
129	61111030	Болт				
130	61111070	Болт	2	2	2	2
131	62310420	Винт	3	3	3	3
132	62510410	Винт	3	3	3	3
133	62110860	Винт	4	4	4	4
134	62310616	Винт	24	24	24	24
135	62510420	Винт	8	8	8	8
136	62804213	Винт	8	8	8	8
137	63110004	Гайка	6	6	6	6
138	63110005	Гайка	4	4	4	4
139	63110006	Гайка	46	46	60	60
140	63110008	Гайка	7	9	8	8
141	63110010	Гайка	8	10	10	10
142	63300006	Гайка	50	50	50	50
143	63300010	Гайка	8	8	8	8
144	64310004	Шайба	6	6	6	6

№ поз.	Код заказа	Описание	ECO 80P	ECO 100P	ECO 120P	ECO 140P
145	64310005	Шайба	4	4	2	2
146	64310006	Шайба	112	112	126	126
147	64310008	Шайба	4	6	6	6
148	64310010	Шайба	10	10	10	10
149	64210006	Шайба	26	26	26	26
150	64210010	Шайба	4	4	4	4
151	64110004	Шайба	6	6	6	6
152	64110005	Шайба	4	4	4	4
153	64110006	Шайба	106	106	106	106
154	64110008	Шайба	2	2	2	2
155	64110010	Шайба	16	12	12	18
156	90100001	Хомут ленточный	4	4	4	4
157	66010002	Заклепка	43	43	43	43
158	90100005	Хомут ленточный	2	2	2	2
159	90100006	Хомут ленточный	6	6	6	6
160	90100007	Хомут ленточный	2	2	2	2
161	87100014	Сетка внутренняя	1	1	1	1
162	87100015	Сетка светильника	1	1	1	1
163	10110521	Ниппель	3	3	3	3
164	10110960	Уплотнитель	1	1	1	1
165	10110950	Седло	1	1	1	1
166	10110548	Угольник	1	1	1	1
167	10110524	Тройник	2	2	2	2
168	10110525	Кран шаровый	1	1	1	1
169	10110522	Муфта	1	1	1	1
170	10110546	Труба	1	1	1	1
171	10110529	Труба	1	1	1	1
172	10110531	Труба	1	1	1	1
173	10110520	Дозатор абразива	1	1	1	1
174	10110550	Угольник	1	1	1	1
175	51203005	Разгрузочный клапан	1	1	1	1
176	10110532	Шток	1	1	1	1
177	82000135	Труба клапана	1	1	1	1
178	90403034	Прокладка	1	1	1	1

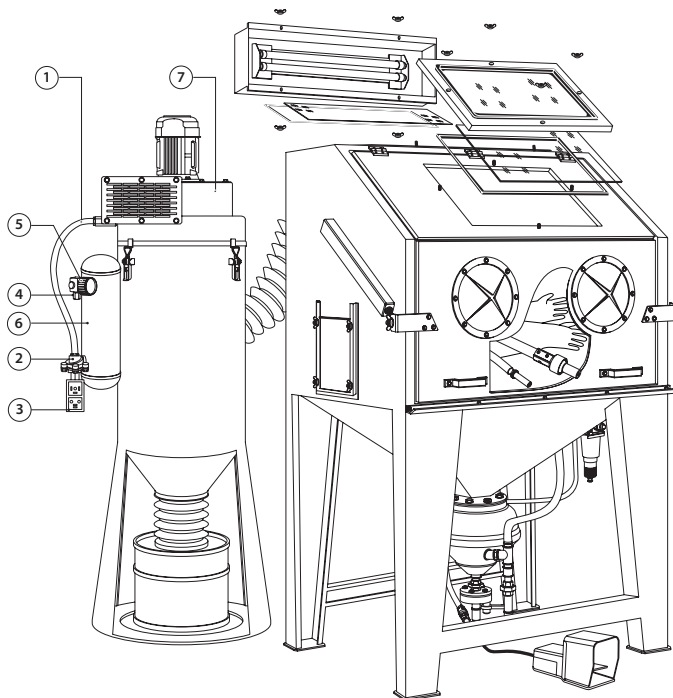


Рис. 7.1.2. Специальная модель ECO-80PF/100PF/120PF/140PF общий вид

№ поз.	Код заказа	Описание	кол-во
	10117525	Блок импульсной очистки фильтра, комплект для дооснащения DC-370	
1	10151002	AirFlex-19, Рукав сжатого воздуха 19x28 мм, 1 м	0,5 м
2	51203004	Пневмоклапан импульсный 3/4"	1
3	32040001	Таймер управления имп. пневмоклапаном	1
4	51201001	Регулятор давления	1
5	10130404	Манометр 1/8" (в резиновой оболочке)	1
6	88600001	Ресивер импульсной очистки фильтра	1
7	22010301	Лопатка вентилятора DC-370	1

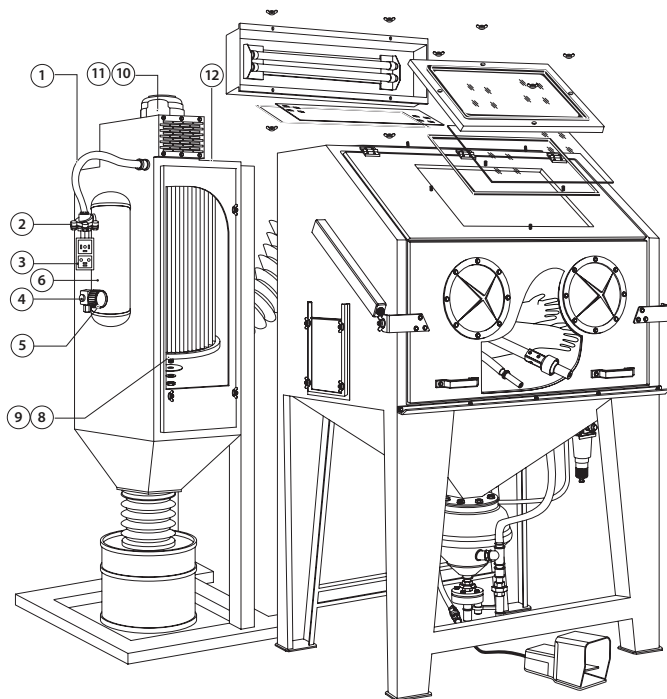


Рис. 7.1.3. Специальная модель ECO-80PL/100PL/120PL/140PL общий вид

№ поз.	Код заказа	Описание	КОЛ-ВО
	10117513	Фильтр-камера DC-550, комплект	
	10117514	Фильтр-камера DC-750, комплект	
1	10151002	AirFlex-19, Рукав сжатого воздуха 19х28 мм, 1 м	0,5 м
2	51203004	Пневмоклапан импульсный 3/4"	1
3	32040001	Таймер управления имп. пневмоклапанном	1
4	51201001	Регулятор давления	1
5	10130404	Манометр 1/8" (в резиновой оболочке)	1
6	88600001	Ресивер импульсной очистки фильтра	1
8	22070103	Фильтр патронный (для DC-550)	1
9	22070104	Фильтр патронный (для DC-750)	1
10	31120002	Электромотор 0,55 кВт для DC-550	1
11	31120003	Электромотор 0,75 кВт для DC-750	1
12	22010101	Лопатка вентилятора для DC-550	1
	22010201	Лопатка вентилятора для DC-750	1

7.2. Пневматическая схема

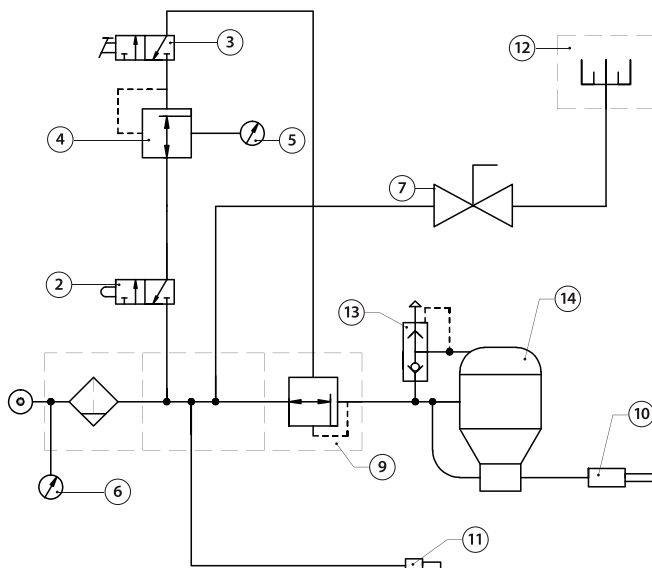


Рис. 7.2.1. Пневматическая схема стандартной модели ECO-80P/100P/120P/140P

№ поз.	Код заказа	Описание
2	51203007	Пневматический концевой выключатель
3	51203003	Педаля пневматическая
4	51201001	Регулятор рабочего давления
5	51202010	Манометр
6	10130404	Манометр
7	10110525	Кран шаровой
9	51203002	Клапан редукционный
10	10112551	Сопло
11	10115901	Обдувочное сопло
12	22070106	Фильтр патронный
13	51203005	Разгрузочный клапан
14	22040001	Аппарат абразивоструйный

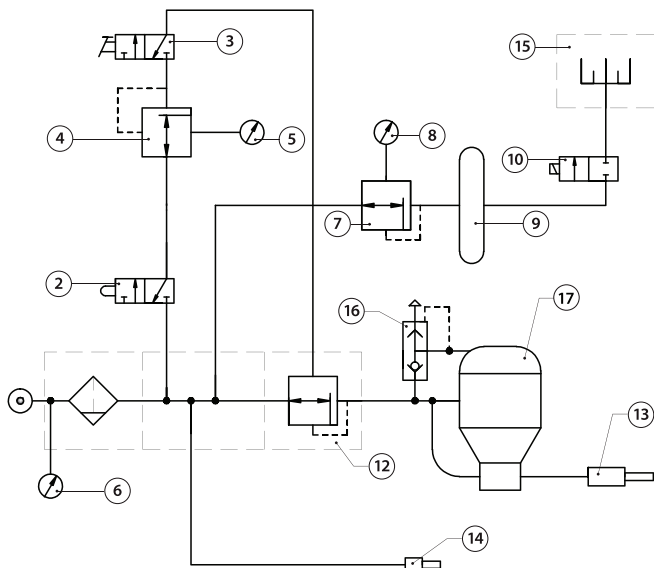


Рис. 7.2.2. Пневматическая схема специальной модели
ECO-80PF/100PF/120PF/140PF/ ECO-80PL/100PL/120PL/140PL

№ поз.	Код заказа	Описание
2	51203007	Пневматический концевой выключатель
3	51203003	Педаля пневматическая
4	51201001	Регулятор рабочего давления
5	51202010	Манометр
6	10130404	Манометр
7	51201001	Регулятор рабочего давления
8	51202008	Манометр
9	88600001	Ресивер
10	51203004	Пневмоклапан импульсный
12	51203002	Клапан редукционный
13	10112551	Сопло
14	10115901	Обдувочное сопло
15	22070106	Фильтр патронный
	22070103	Фильтр патронный
	22070104	Фильтр патронный
16	51203005	Разгрузочный клапан
17	22040001	Аппарат абразивоструйный,

7.3. Электрическая схема

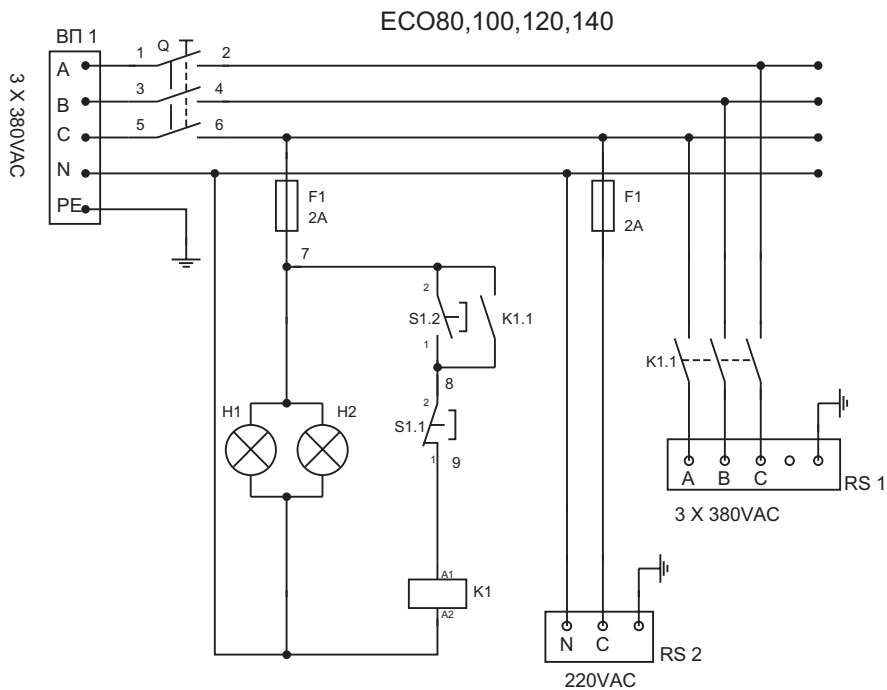


Рис. 7.3.1. Электрическая схема ECO-80/100/120/140

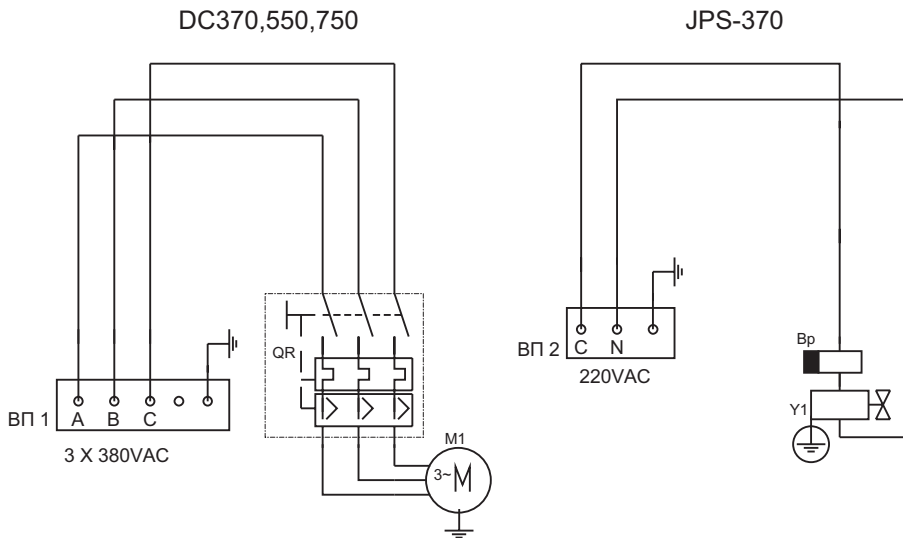


Рис. 7.3.2. Электрическая схема DC-370/550/750

№ поз.	Код заказа	Описание
K1	35010011	Контактор
S1	33070001	Кнопка двойная ВКЛ./ВЫКЛ.
HS	32060001	Выключатель ручной кулачковый
M	31120001	Электродвигатель DC-370
	31120002	Электродвигатель DC-550
	31120003	Электродвигатель DC-750
Y1	51203004	Пневмоклапан
F	32080002	Предохранитель
RS 1,2	33280005	Розетка
	33280003	Розетка
ВП 1,2	33270005	Вилка
	33270006	Вилка
Bp	32040001	Таймер
QR	32130003	Выключатель автоматический DC-370/550
	32130002	Выключатель автоматический DC-750

